



# Plasti-Bond®

PVC-Coated Rigid Metal Conduit, Fittings, and Accessories

# Product Catalog and Buyer's Guide

PR-115



Plasti-Bond REDH<sub>2</sub>OT<sup>®</sup> is manufactured and distributed by Robroy Industries, USA, ISO 9001-certified.  
Plasti-Bond complies with all standards mandated by UL6, NEMA RN-1, ANSI C80.1, ETL PVC-001,  
IEC IP69/UL Type 4X and UL 1203 Hazardous Location. Patent Pending SIB.

# Table of Contents

Industrial-Strength Corrosion Protection	2	Conduit Bodies and Covers	36
The Degree of Difference	3	Knockout Hubs	39
Did You Know?	9	Liquid Tight Connectors	41
Resources for Safety and Success	9	TECK Series Cable Fittings	43
Listings and What They Mean	10	Grounding Bushings and Split Couplings	45
Installation Tips	12	Reducing Bushings/Couplings and Plugs	46
Training	14	Conduit Expansion Joints	47
PVC-Coated Conduit	15	Service Entrance Elbows	48
Nipples	16	Malleable Elbows	49
PVC-Coated Elbows	18	Conduit Unions	50
PVC-Coated Couplings	20	GUA Series Outlet Boxes	51
PVC-Coated SpeedCouple	21	Sealing Fittings	55
Cast Device Boxes	22	ECGJH and ECLK Series Couplings	59
Cast Device Boxes – Single Gang	23	OE Series Outlet Boxes	61
Cast Device Boxes – Two Gang	27	Support Products	62
Cast Device Box Covers	28	Installation Tools	69
Conduit Bodies and Covers	30	Installer Certification	70
Pulling Elbows	35	Technical Information	71

# Industrial-Strength Corrosion Protection

## Plasti-Bond PVC-Coated Conduit, Fittings, and Accessories

Corrosion doesn't stand a chance when you install Plasti-Bond REDH<sub>2</sub>O's comprehensive line of PVC-coated rigid metal conduit and fittings to provide proven, maximum protection for electrical raceway systems in demanding and harsh environments.

Plasti-bond's PVC-coated conduit system creates a complete corrosion barrier, with PVC on the outside and urethane on the inside.

# Plasti-Bond®

## Put Plasti-Bond REDH<sub>2</sub>O PVC-Coated Conduit and Fittings to Work

The strength of Plasti-Bond's comprehensive line of products makes it the perfect solution for a broad range of industries where risk of corrosion to electrical raceways could result in costly, catastrophic damage; creating downtime, safety, legal, and environmental concerns.

### INFRASTRUCTURE

- Airports
- Bridges
- Transportation

### INDUSTRIAL

- Chemical
- Food & Beverage
- Mining
- Pharmaceutical

- Petrochemical
- Power Plants
- Pulp & Paper
- Water & Wastewater

### COMMERCIAL

- Campus
- Fuel Station
- Parking Lot





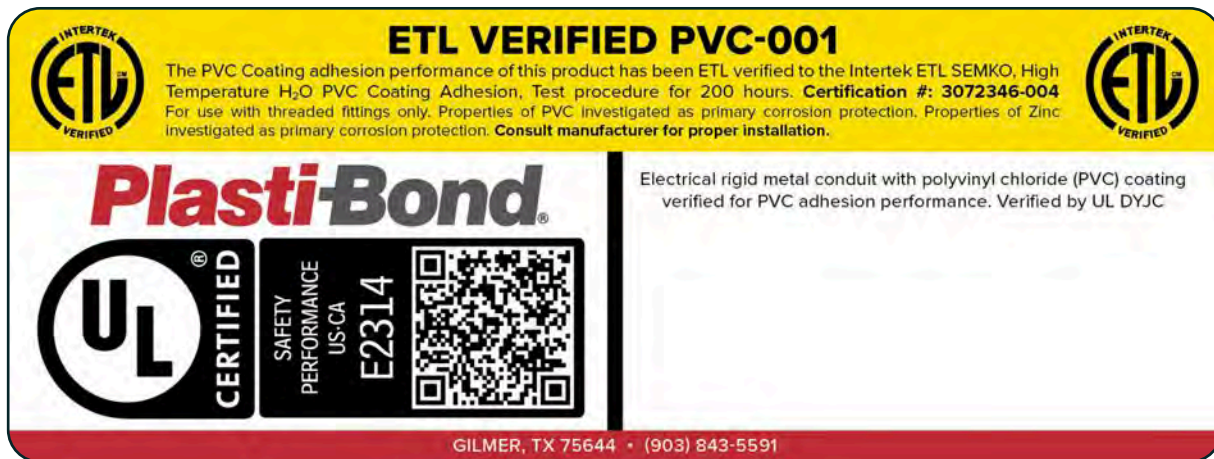
You can depend on Plasti-Bond to meet full compliance for your project and provide an unmatched level of safety and performance.

Plasti-Bond is ISO 9001-certified manufactured and distributed by Robroy Industries, a pioneer and industry leader, originally founded in 1905. Robroy Industries has been innovating corrosion protection for over 100 years and was the first company to produce PVC-coated products in 1967.

## ETL Verification

Plasti-Bond's PVC-coated, rigid galvanized metal conduit is UL 6 listed for safety and ETL PVC-001 verified, validating interior and exterior coating performance and predictability of service life longevity – at least 10X longer than other brands that do not carry the ETL-verified listing.

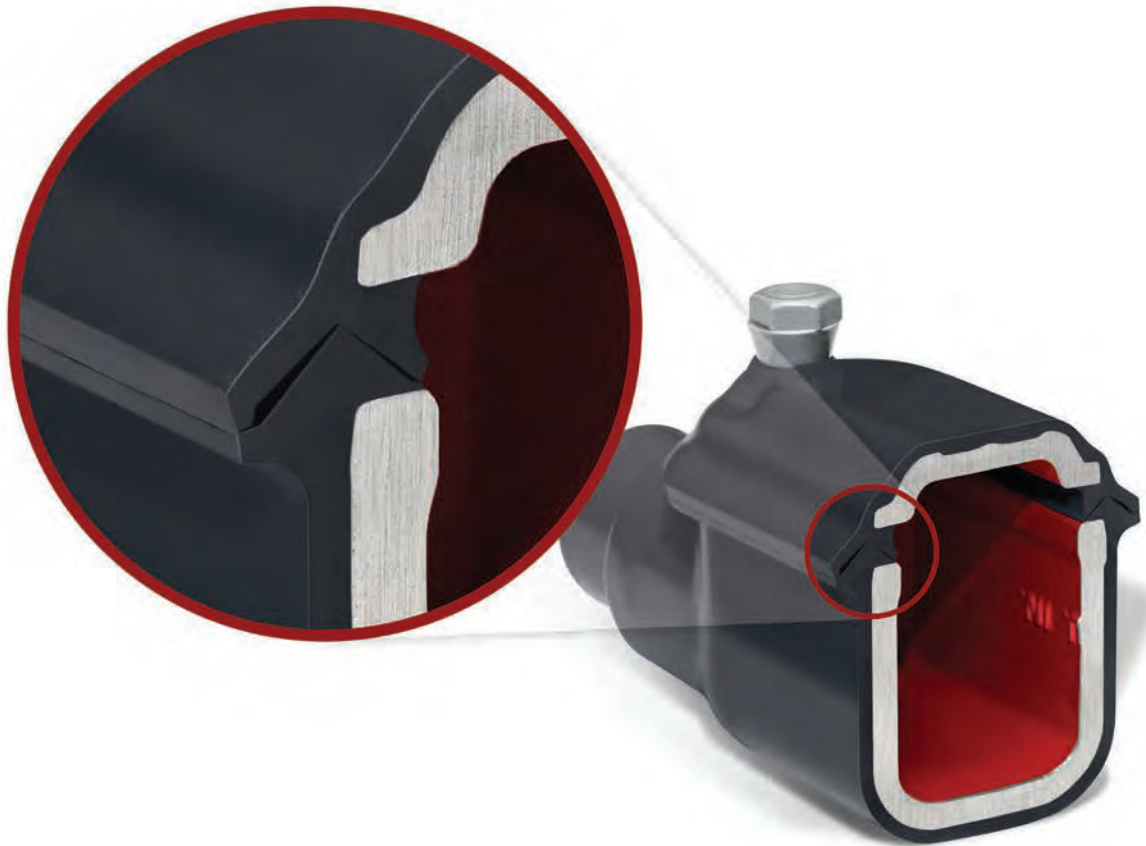
Testing for ETL PVC-001 is not intended to replicate a specific environment. Rather, it is designed to predict the service life of a coating under the two most common conditions that affect adhesive bonds: heat and humidity. Plasti-Bond consistently earns its ETL PVC-001 label on a quarterly basis by repeatedly and successfully passing the stringent performance tests required for verification.



## Adhesion Enhancement Process

Plasti-Bond's unique Adhesion Enhancement Process (AEP) removes oxidation, white rust, and contaminants from the conduit's outer zinc surface without harm or deterioration and readies it for maximum bonding, maintaining all industry standards and conformance.

# The Degree of Difference



## Form 8 and Mark 9 Fittings

One of the key benefits of Plasti-Bond Form 8 and Mark 9 fittings is our patented V-Seal® gasket with a special interlocking groove, providing the most effective seal for PVC-coated Form 8 (feraloy iron alloy and aluminum) and Mark 9 bodies. In addition, Form 8 and Mark 9 fittings carry the UL Type 4X and IEC IP69 rating (tested to DIN Standard IP69K), meeting the highest protection rating on the scale and providing defense against ingress of dust, water, and other foreign matter.

Testing for IP69 includes a set of tests to certify ingress protection against both solids and liquids. The dust test is conducted in a closed dust chamber containing 2 kg/m<sup>3</sup> of suspended talcum powder particles of 50-µm diameter or less. The powder is circulated 8 hours at a rate sufficient to cycle the volume of powder present at least 60 times.

In order to bear an IP69 label for protection from water intrusion, the water jetting test is conducted by placing the fitting on a turntable that rotates every 12 seconds (5 rpm) and spraying 176°F (80°C) water from 4-6 inches at a flow rate of 4 gallons per minute. Water is sprayed at angles of 0, 30, 60, and 90 degrees for 30 seconds each. Products tested to the IP69k standard undergo water pressure of 1160-1450 psi throughout the testing procedure. The product provides the most complete protection against water ingress in washdown environments.



## UL 1203 Hazardous Location Listed Fitting

Plasti-Bond's PVC-coated hazardous (classified) location fittings (sealing fittings, conduit unions, GUA outlet boxes, and EC series flexible couplings) are UL 1203 Listed for safety, **AFTER THE COATING IS APPLIED**, providing customers with the safest and best performing corrosion-resistant solutions. PVC-coated products that are UL 1203 Listed are easily identifiable by the red metal tag attached.



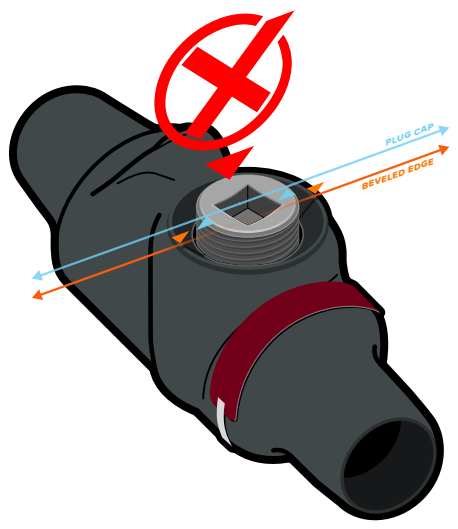
**Always ensure you are using UL Listed hazardous location fittings. Simply stated, if there is no UL label, that product is NOT UL Listed.**

# The Degree of Difference

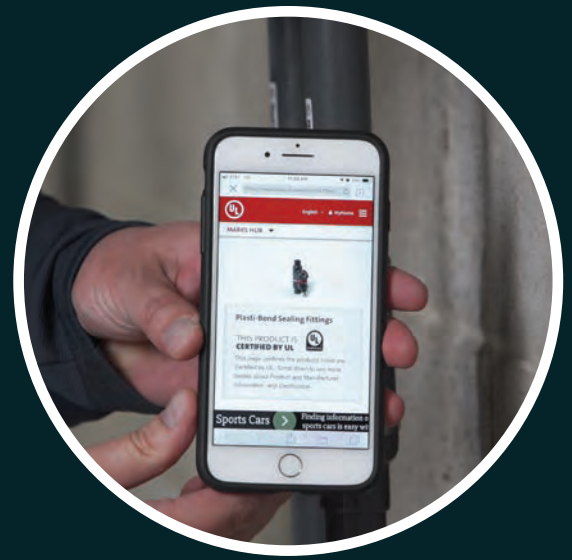
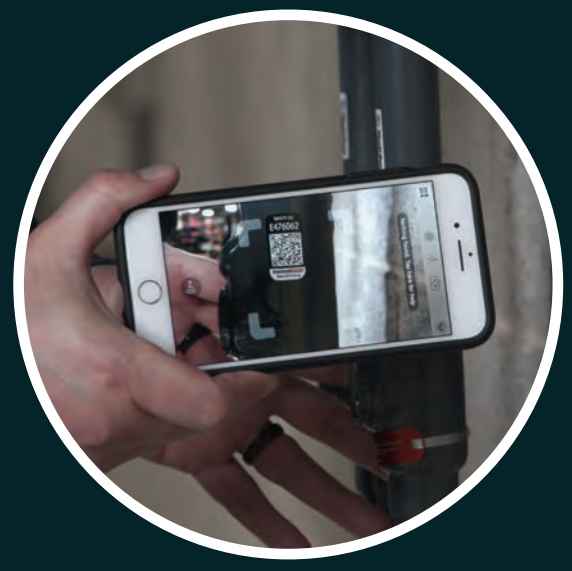
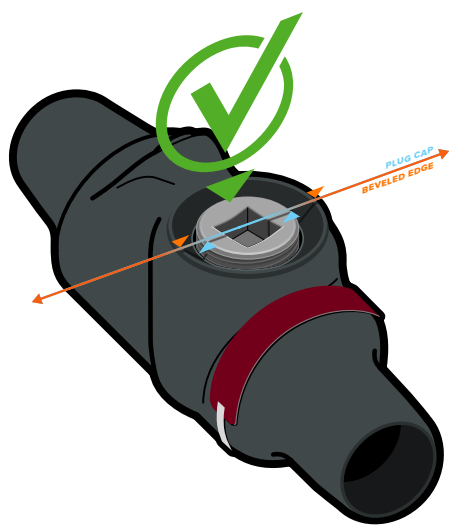
## P5SA™ Plug 5 Safety Assurance

Our patented P5SA™ validation system, available on sealing fittings, provides additional assurance to installers and inspectors that Plasti-Bond urethane-coated plugs are correctly engaged the first time, every time with visual confirmation.

**FAILURE**



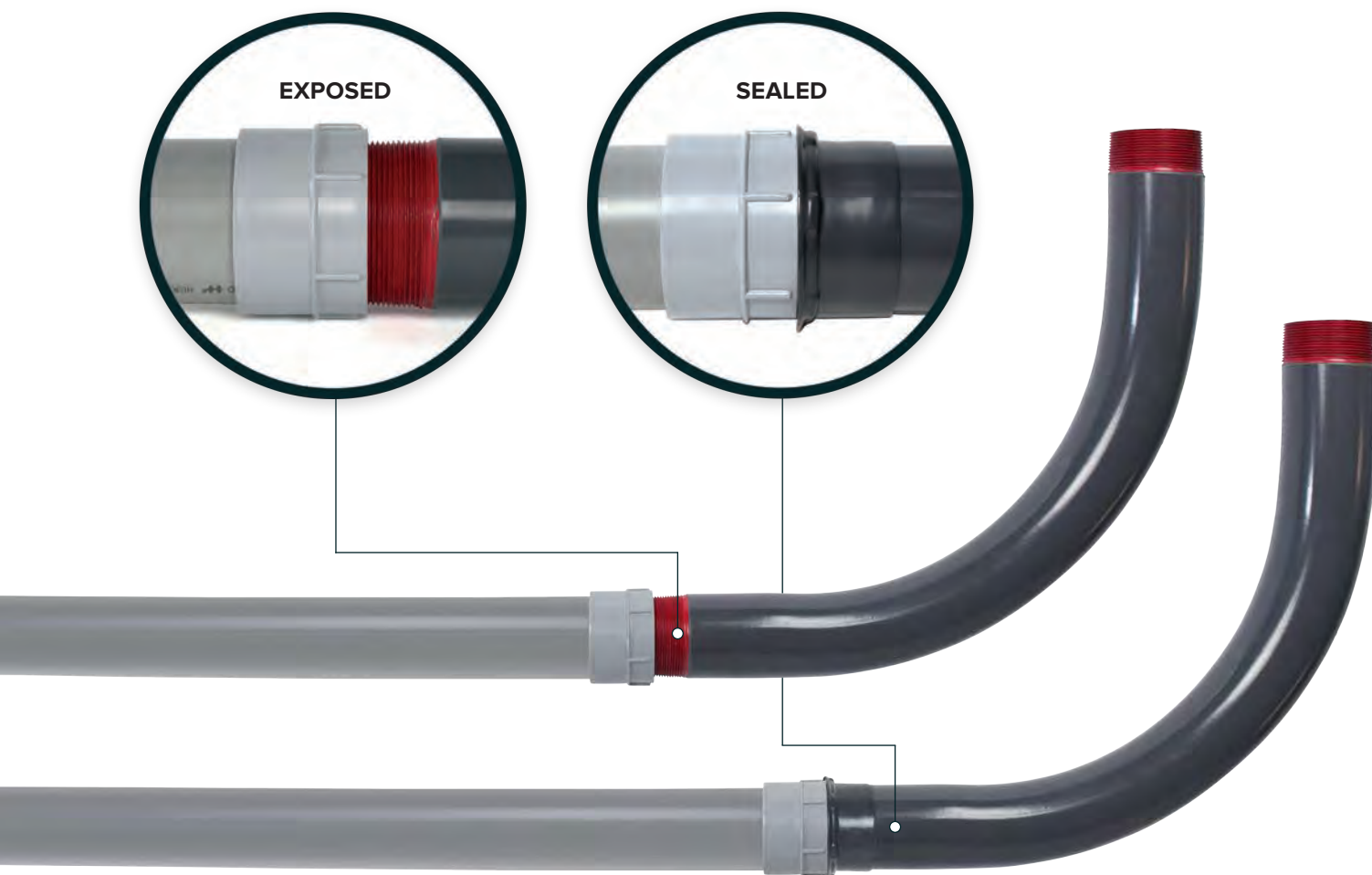
**SUCCESS**



## Enhanced and Smart UL Certification Mark and Badge System

Convenient QR codes make it easy for contractors and inspectors to scan Plasti-Bond products on site, giving you immediate access to vital information about the product and certification compliance from the UL Smart Marks hub.





## Sealing Locknut

Exposed conduit threads at points of connections in your electrical system are the weakest link in any conduit system and can lead to potential corrosion issues. Plasti-Bond Sealing Locknuts cover exposed threads and provide protection against harsh environments. The simply designed detachable sleeve provides a consistent seal over exposed conduit threads and is easy to install and tighten. This is especially useful in transitioning from PVC to PVC-coated GRC or items that are unable to be coated (i.e. firebox or motor).

# The Degree of Difference

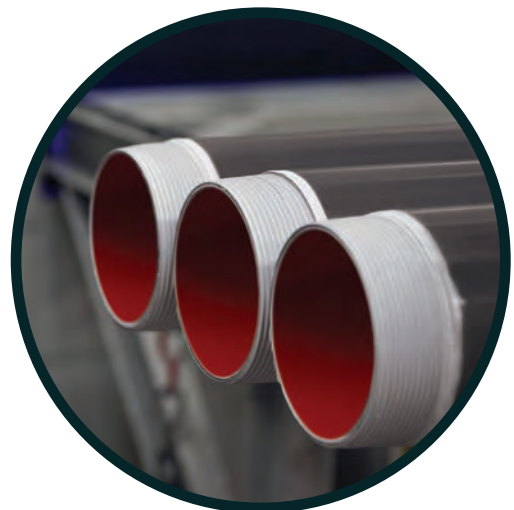


## PVC Coating Repair Kit

Our PVC Coating repair kit is a UL-recognized, two-part epoxy formulated to bond to steel, aluminum, and PVC substrates, and has been tested for safety of flame propagation. Repairing damage to exterior PVC Coating immediately improves the exterior's appearance and helps to maintain the product's integrity and corrosion resistance. Kit includes all tools necessary for a quality repair, along with other instructions and chemical information.

## Hot Galvanized Threads

After machining of conduit threads to exacting tolerances, Plasti-Bond conduit threads are further enhanced utilizing a specialized hot galvanizing process that protects the threads. Plasti-Bond threads are coated with a clear polyurethane spray to provide additional corrosion protection. This process allows for zinc to be evenly applied to the threads, keeping zinc from pooling inbetween threads. In addition, threads are not over-exposed to molten zinc. This prevents threads from becoming brittle.



## Why we use dark gray for the exterior of our Plasti-Bond products?

Simple, it's all about performance. Our specially formulated gray plastisol offers long-term UV resistance and prevents deterioration when exposed to elements in the environment. It also remains more flexible over time opposed to other colors that may cause premature failure of the protective coating. Color also affects the coating's flammability level and conductivity, important to static discharge.

Do you need a custom color? For options, contact Plasti-Bond at (903) 843-5591 or email us at [CustomerService@PlastiBond.com](mailto:CustomerService@PlastiBond.com).

## Need help with your specification?

For assurance of the right products for safety and performance installed by trained professionals, Plasti-Bond offers a complimentary specification reviewing service.

To learn more, contact us at (903) 843-5591 or email [CustomerService@PlastiBond.com](mailto:CustomerService@PlastiBond.com).

## Difference between Buy American and Buy America

**Buy American Act** – Typically applies to purchases by the federal government being directly purchased for federal buildings or facilities (such as U.S. highways). Requires 51% of the final product components to be made in the U.S.

**Buy America Act** – Generally applicable to state and local government projects, typically when funded by the Federal Transit Authority (FTA). Requires 100% of the supply components or construction materials to be made in the U.S.

Traditional Plasti-Bond products comply with Buy American Act. If your project requires the use of 100% domestic product, please let us know at the time of the quote so we can accommodate. Upon request, domestic certifications can be provided at time of order.

## Do you have a requirement for a product that you do not see in our catalog?

Plasti-Bond can provide custom coating for most electrical fittings and raceway materials. To learn more, please contact us at (903) 843-5591 or email your inquiry to [CustomerService@PlastiBond.com](mailto:CustomerService@PlastiBond.com).

# Resources for Safety and Success

Plasti-Bond's commitment to the safe, successful installation and use of its product line is backed by a wealth of resources, training, and support. To learn more about our convenient installation training and Corrosion College classes, see Page 14.

## Safety Data Sheets

SDS sheets provide comprehensive information on hazardous chemical properties. For the latest up-to-date SDS sheets go online to [PlastiBond.com/SDS](http://PlastiBond.com/SDS).

## Proper Material Handling

The best way to prevent product damage is to be knowledgeable about proper handling techniques. For a video overview on proper material handling of Plasti-Bond products, go to [PlastiBond.com/MaterialHandling](http://PlastiBond.com/MaterialHandling).



# Listings and What They Mean



## NEMA RN 1 (National Electrical Manufacturers Association)

This industry best practice standard covers continuous PVC exterior coatings, corrosion resistant interior coatings, and galvanized steel conduit, along with couplings and elbows. It states conduit must follow ANSI C80.1 and UL6. NEMA RN 1 provides properties and dimensions of coating and is intended as an aid for selecting proper coating.

It also sets guidelines for post cutting/threading protective coatings, thickness of PVC, and requirements for each ASTM testing method – hardness, tensile strength, elongation, dielectric strength, brittleness temperature, abrasion resistance, bendability, and artificial weathering. NEMA RN 1 states best practices for cleanliness of conduit, proper use of primer for adhesion, and workmanship/appearance (finish shall be free of blisters, bubbles, and pinholes). Standards also set protocol for PVC adhesion pull test (bond stronger than PVC).



## ETL PVC-001

ETL SEMKO, a division of Intertek, specializes in electrical product safety and performance testing. ETL, along with UL and CSA, are the three major laboratories operating in the U.S. that have been certified by the Occupational Safety and Health Administration (OSHA) as a Nationally Recognized Testing Laboratory (NRTL).

Carrying the ETL Verified Mark indicates to consumers that a product has met certain design and performance standards as confirmed through independent testing and periodic follow-up inspections.

ETL PVC-001 signifies compliance to the Intertek SEMKO High Temperature H<sub>2</sub>O PVC-Coating Test Procedure for predicting service (200 hours), in accordance with ASTM B870 and ASTM D2247.

## ETL VERIFIED PVC-001



The PVC Coating adhesion performance of this product has been ETL verified to the Intertek ETL SEMKO, High Temperature H<sub>2</sub>O PVC Coating Adhesion, Test procedure for 200 hours. **Certification #: 3072346-004**  
For use with threaded fittings only. Properties of PVC investigated as primary corrosion protection. Properties of Zinc investigated as primary corrosion protection. **Consult manufacturer for proper installation.**

# Plasti-Bond®



SAFETY  
PERFORMANCE  
US-CA  
E2314



Electrical rigid metal conduit with polyvinyl chloride  
verified for PVC adhesion performance. Verifie



## ANSI C80.1 (American National Standards Institute)



Under the guidelines and represented by NEMA, ANSI C80.1 aims to set consistency in the manufacturing of electrical conduit. Length, circular cross sections, wall thickness, surface specs, cleaning, welding, zinc coating, threading, and identification are all covered.

The standard also sets guidelines for inspection and incorporates additional testing procedures – ductility of steel, ductility of zinc coating, thickness of coating, and quality of enamel coating of interior surfaces.

## UL (Underwriters Laboratories)



UL 6 is the Standard for Safety for Electrical Rigid Metal Conduit – Steel. This includes elbows, couplings, and nipples for use as a metal raceway for installation of wires and cables and is the common ANCE, CSA, and UL standard in accordance with CSA C22.1, Canadian Electrical Code, Part 1, NOM-001-SEDE, Standard for Electrical Installations, and NFPA 70, National Electrical Code.

UL 6 references requirements for material properties, dimensions, and testing to evaluate zinc coating protection for ERM-C-S. Supplementary nonmetallic coatings undergo tests involving flame propagation, coupling fit, and electrical continuity with coupling. If PVC is listed as primary corrosion protection, it must also undergo salt-spray (fog), water, moist carbon dioxide-sulfur dioxide-air, and ultraviolet light tests, as well as cold impact, tensile strength, and adhesion tests.

Electrical conduit also covered by UL 6A includes Standard for Safety for Electrical Rigid Metal Conduit – Aluminum, Bronze, and Stainless Steel; UL 797 & 797A - Electrical Metallic Tubing; and UL 1242 - Electrical Intermediate Metal Conduit.

Additionally, fittings and hardware are covered by UL 514B, Standard for Safety for Fittings for use with Cable and Conduit, UL 514A and 514D - Metallic Outlet Boxes and Cover Plates for Flush-Mounted Wiring Devices (Aluminum including), UL 467 - Grounding and Bonding Equipment, and UL 2239 - Hardware for the Support of Conduit, Tubing, and Cable.

UL 1203 is the UL Safety Standard for Explosion-Proof and Dust-Ignition-Proof Electrical Equipment for Use in Hazardous (Classified) Locations. Some of the most common locations that require product ratings for explosion and dust-ignition protection are also those located in corrosive environments. UL 1203 evaluates both the construction and performance of enclosures and fittings for use in hazardous classified locations along with the additional criteria of protection against corrosion.

# Installation Tips



## Clamping

When using a yoke style pipe vise, replace the jaw assembly with special vise adapters. When using a chain vise for conduit, use half-shell clamps to clamp a 2-inch or larger diameter PVC-coated conduit. If you use a power unit that spins the conduit, equip the chuck with inserts designed for use with coated conduit.

## Cutting

A roller cutter is recommended for cutting PVC-coated conduit. This will make a square cut end and remove about  $\frac{1}{4}$ " of PVC coating that aids in threading the conduit. If using a band saw, make sure the cut is square before threading can occur.

Cutting away  $\frac{1}{4}$ " of the exterior coating in the same manner as sharpening a pencil allows the pipe guide to ride up and over the PVC coating, facilitates coating removal, and enables cutting the thread in one operation. A reamer is used to remove any rough internal edges caused by cutting to prevent insulation damage during wire pulling.

## Threading

Before threading, make a series of cuts in the PVC along the longitudinal axis of the conduit, using the thread protector attached to the end of each conduit section to gauge the length. These cuts help remove the PVC in small pieces rather than long strips that can foul the die head and cause the conduit to collapse. Before threading, machine the stationary guide to remove 0.12 inch so the pipe guide can ride up and over the PVC coating, or purchase die heads that are specifically designed for PVC-coated conduit. Always use a new die head to thread coated aluminum. Using the same die head to thread PVC-coated aluminum and coated rigid steel conduit is not recommended.

After threading, clean the threads and conduit interior with a degreasing spray to prepare for the application of the thread compound. Cleaning ensures proper adherence of compound to the unprotected metal substrate.

## Hydraulic Bending

For best results, use equipment designed to bend coated conduit. Hydraulic and electric powered benders are available with shoes sized for coated conduit. When bending coated conduit, use rubbing alcohol to clean the inside of the shoe and the area of conduit you wish to bend.

Never use lubricant in the shoe or on the conduit. Lubricant allows the conduit to slip above the centerline of the shoe, resulting in flattening of the elbow.

Conventional shoes can be used to bend conduit if 0.06 inches are removed from the inside surface to accommodate the coating thickness.

## Hand Bending

When using a conventional hand bender, use the next larger size bending shoe to allow space for the coating. You can make hand bends with a special coated bending hickey that reduces damage potential to the coating when making sharp bends, saddles, or offsets. Installers typically use these tools for ½" to ¾" diameter conduit.

## Assembly

You should use special Z-Wrenches in lieu of standard adjustable pliers to assemble PVC-coated conduit and fittings. Z-Wrenches spread the clamping force and enable the tool to grip securely without damaging the conduit coating. Strap wrenches can be used to tighten conduit or couplings without damaging the coating.

For smaller conduit sizes, Spin-It tools are available for use with air impact or standard ratchet wrenches to assemble the conduit and fittings faster than conventional methods. This method never touches the PVC coating and saves time by eliminating the need to touch up damage marks.

Special sockets are available for use with ratchets to tighten encapsulated screws on conduit fittings, hangers, and clamps.

PVC sleeves on conduit couplings and fittings help isolate corrosives from the threads at joints. Typically, the sleeves should not be cut; however, it may become necessary to remove portions of the sleeve when the fitting is close to other sleeves, such as with a short nipple. In this instance, cut away half of each sleeve and apply touch-up compound to the joints.





# Training

## Corrosion College

This is a two-day, hands-on short course that provides proven solutions for the prevention of industrial corrosion through classroom and actual experience. Corrosion College is accredited for 15 Professional Development Hours (PDHs) through Texas A&M, Purdue University, Kilgore College, American Institute of Architects, and PDH Engineer. For more information, contact Corrosion College at (903) 843-3461 or [CustomerService@CorrosionCollege.com](mailto:CustomerService@CorrosionCollege.com).



## Corrosion College



## Lunch and Learns

These learning opportunities are aimed directly at educating owners, engineers, end-users, and product specifiers about labels and listings that relate to critical issues such as product performance and safety. The knowledge gained provides insight on proper material selection and results in reduction of high costs and consequences of corrosion damage. Lunch and Learns are accredited for one Professional Development Hour (PDH).

## Installer Certification

Proper installation of Plasti-Bond products is essential to ensure the best possible service life for a raceway system. Plasti-Bond offers installer certification training with classroom and hands-on instruction:

- Proper installation techniques and tools
- Clamping, cutting, threading, bending, and assembly of PVC-coated conduit
- System assembly and best practices
- Techniques and troubleshooting

Only installers who are able to present valid, unexpired credentials of having passed required instruction and examination are officially certified to install Plasti-Bond's products.

There is no charge for installer certification. To learn more about this certification program, contact Plasti-Bond at (903) 843-5591.

### Plasti-Bond Certified Installer

ON \_\_\_\_\_, 20\_\_\_\_

NAME \_\_\_\_\_  
successfully completed the Installer Certification Exam and is hereby designated a Certified Installer for PVC coated conduit.

SIGNED \_\_\_\_\_

EXPIRATION DATE \_\_\_\_\_

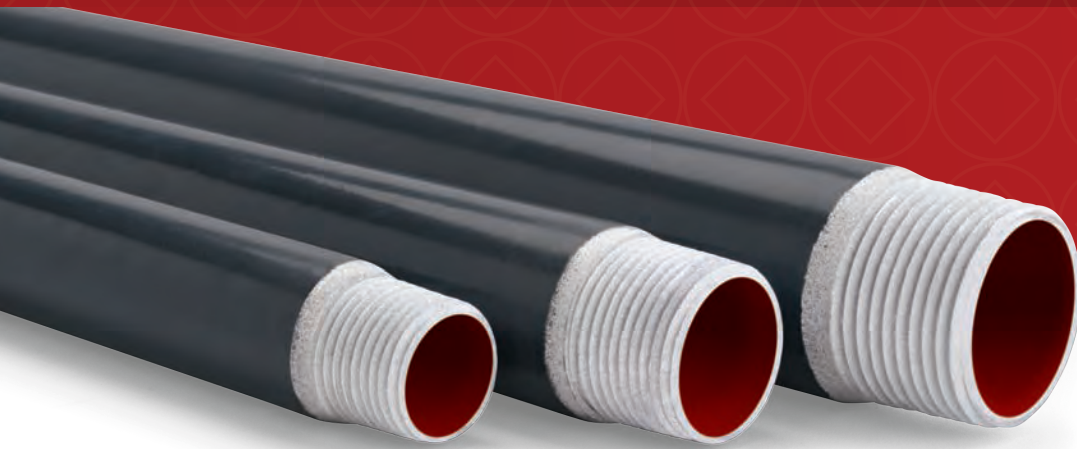
PB000000



1100 US Highway 271 South, Gilmer, TX 75644 • Tel: (903) 843-5591 • Fax: (903) 843-5595 • [PlastiBond.com](http://PlastiBond.com)



# PVC-Coated Conduit



ALUMINUM



STEEL

## Description

PVC-coated galvanized rigid conduit with red urethane interior coating protects conductors from mechanical damage and corrosive attack. Electrical continuity is maintained across assembled joints.

## Features

- 40 mil gray PVC exterior coating
- 2 mil red urethane interior coating
- PROTECH threads – A clear urethane coating over hot galvanized threads
- 12 trade sizes from ½” through 6”
- Shipped in 10’ lengths with coupling. One “no-charge” coupling is included with each 10’ length of conduit
- Plastic thread protector caps are color coded for quick identification of conduit size

## Standards

### Steel and Aluminum

- UL 6 (E2314); UL 6A (E98405)
- CSA C22.2 No. 45
- Both PVC and zinc coatings have been investigated as primary protection against corrosion. Restricted for use with threaded fittings only.
- ANSI C80.1

## Coated Conduit Technical Data

METRIC SIZE DESIGNATORS	PIPE SIZE INCHES	CATALOG #	OUTSIDE WALL THICKNESS INCHES	DIAMETER WITH COATING INCHES	INTERNAL INSIDE DIAMETER INCHES	TRAVERSE AREA SQ. INCHES	NOMINAL WEIGHT	ALUMINUM CATALOG #
16	1/2"	PRHCONDUIT-1/2	.104"	.920"	0.632"	0.314"	85.0	PRCONDUIT-AL-1/2
21	3/4"	PRHCONDUIT-3/4	.107"	1.130"	0.836"	0.549"	112.0	PRCONDUIT-AL-3/4
27	1"	PRHCONDUIT-1	.126"	1.395"	1.063"	0.887"	164.0	PRCONDUIT-AL-1
35	1-1/4"	PRHCONDUIT-1-1/4	.133"	1.740"	1.394"	1.526"	217.0	PRCONDUIT-AL-1-1/4
41	1-1/2"	PRHCONDUIT-1-1/2	.138"	1.980"	1.624"	2.071"	268.0	PRCONDUIT-AL-1-1/2
53	2"	PRHCONDUIT-2	.146"	2.455"	2.083"	3.408"	358.0	PRCONDUIT-AL-2
63	2-1/2"	PRHCONDUIT-2-1/2	.193"	2.955"	2.489"	4.866"	546.0	PRCONDUIT-AL-2-1/2
78	3"	PRHCONDUIT-3	.205"	3.580"	3.090"	7.499"	708.0	PRCONDUIT-AL-3
91	3-1/2"	PRHCONDUIT-3-1/2	.215"	4.080"	3.570"	10.010"	851.0	PRCONDUIT-AL-3-1/2
103	4"	PRHCONDUIT-4	.225"	4.580"	4.050"	12.882"	1009.0	PRCONDUIT-AL-4
129	5"	PRHCONDUIT-5	.245"	5.643"	5.073"	20.212"	1337.0	PRCONDUIT-AL-5
155	6"	PRHCONDUIT-6	.266"	6.705"	6.093"	29.158"	1993.0	PRCONDUIT-AL-6

# Nipples

NIPPLES



ALUMINUM

STEEL

## Description

Plasti-Bond REDH<sub>2</sub>OT factory-threaded nipples save you time and money in the field. Electrical continuity is maintained across assembled joints.

*\*The exterior of certain short nipples are coated with urethane in lieu of PVC. This is dictated by the manufacturing process as well as assembly considerations.*

## Features

- 40 mil gray PVC exterior coating
- 2 mil red urethane interior coating
- 12 trade sizes from 1/2" through 6"
- 11 standard lengths available: Close, from 2" through 12"
- Made-to-order lengths available in 1/2" increments. Call for quote
- Plastic thread protector caps are color coded for quick identification of size

Does your installation require custom-length nipples? Call for a quote at (903) 843-5591 or email your request to [CustomerService@PlastiBond.com](mailto:CustomerService@PlastiBond.com).

## Standards

### Steel and Aluminum

- UL 6 (E2314); UL 6A (E98405)
- CSA C22.2 No. 45
- Both PVC and zinc coatings have been investigated as primary protection against corrosion. Restricted for use with threaded fittings only

## Simple Steps To Ordering

To order the Plasti-Bond coated nipples, follow this simple formula to create your Plasti-Bond catalog number. Use the size exactly as shown in the chart, including the hyphen and slash symbols.

### For steel conduit nipples:

**PRHNIP** – **SIZE X LENGTH**

The catalog number for a Plasti-Bond coated steel, 1-1/2" nipple with a length of 12":  
**PRHNIP-1-1/2X12**

### For aluminum conduit nipples:

**PRNIP-AL** – **SIZE X LENGTH**

3" nipple with a length of 4": **PRNIP-AL-3X4**

## TRY IT!

Enter "PRHNIP" for Standard Nipple Prefix or "PRNIP-AL" for Aluminum Nipple Prefix

Enter Trade Size

Enter Desired Nipple Length

PRHNIP or PRNIP-AL

-

x

This number can then be looked up in the price list to determine price and availability.

# Nipples

## Steel Nipples

Steel Nipple Size	Nipple Length							
	CL	1-1/2"	2"	2-1/2"	3"	3-1/2"	4"	5"
1/2"	Yellow	Yellow	Yellow	Yellow	Green	Green	Green	Green
3/4"	Yellow	Yellow	Yellow	Yellow	Green	Green	Green	Green
1"	Yellow	Grey	Yellow	Yellow	Green	Green	Green	Green
1-1/4"	Yellow	Grey	Yellow	Yellow	Yellow	Green	Green	Green
1-1/2"	Yellow	Grey	Yellow	Yellow	Yellow	Green	Green	Green
2"	Yellow	Grey	Grey	Yellow	Yellow	Yellow	Green	Green
2-1/2"	Yellow	Grey	Grey	Grey	Yellow	Yellow	Yellow	Green
3"	Yellow	Grey	Grey	Grey	Yellow	Yellow	Yellow	Green
3-1/2"	Yellow	Grey	Grey	Grey	Grey	Grey	Yellow	Green
4"	Yellow	Grey	Grey	Grey	Grey	Grey	Yellow	Green
5"	Yellow	Grey	Grey	Grey	Grey	Grey	Grey	Yellow
6"	Yellow	Grey	Grey	Grey	Grey	Grey	Grey	Yellow

Urethane on Interior and Exterior
  Urethane on Interior and Threads, PVC Exterior
  Invalid Size

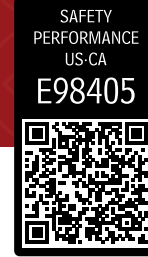
## Aluminum Nipples

Aluminum Nipple Size	Nipple Length							
	CL	1-1/2"	2"	2-1/2"	3"	3-1/2"	4"	5"
1/2"	Yellow	Yellow	Yellow	Yellow	Green	Green	Green	Green
3/4"	Yellow	Yellow	Yellow	Yellow	Green	Green	Green	Green
1"	Yellow	Grey	Yellow	Yellow	Green	Green	Green	Green
1-1/4"	Yellow	Grey	Yellow	Yellow	Yellow	Green	Green	Green
1-1/2"	Yellow	Grey	Yellow	Yellow	Yellow	Green	Green	Green
2"	Yellow	Grey	Grey	Yellow	Yellow	Yellow	Green	Green
2-1/2"	Yellow	Grey	Grey	Grey	Yellow	Yellow	Yellow	Green
3"	Yellow	Grey	Grey	Grey	Yellow	Yellow	Yellow	Green
3-1/2"	Yellow	Grey	Grey	Grey	Grey	Grey	Yellow	Green
4"	Yellow	Grey	Grey	Grey	Grey	Grey	Yellow	Green
5"	Yellow	Grey	Grey	Grey	Grey	Grey	Grey	Yellow
6"	Yellow	Grey	Grey	Grey	Grey	Grey	Grey	Grey

Urethane on Interior and Exterior
  Urethane on Interior and Threads, PVC Exterior
  Invalid Size

# PVC-Coated Elbows

ELBOWS



ALUMINUM



STEEL

## Description

Plasti-Bond REDH<sub>2</sub>OT factory-bent standard radius elbows are available and ready to ship. Factory-bent elbows are more accurate, quicker to install, and more economical because they save field bending time and do not waste materials. Electrical continuity is maintained across assembled joints.

## Features

- 40 mil gray PVC exterior coating
- 2 mil red urethane interior coating
- 12 trade sizes from 1/2" through 6"
- Available in standard sizes 90°, 60°, 45°, 30°, and 22½° bends
- Plastic thread protector caps are color coded for quick identification of conduit size

## Standards

### Steel and Aluminum

- UL 6 (E2314); UL 6A (E98405)
- CSA C22.2 No. 45
- Both PVC and zinc coatings have been investigated as primary protection against corrosion. Restricted for use with threaded fittings only

## Simple Steps To Ordering

To order the Plasti-Bond coated elbows, follow this simple formula to create your Plasti-Bond catalog number. Use the size exactly as shown in the chart, including the hyphen and slash symbols.

### For steel conduit elbows:

**PRHELB** – **SIZE** x **BEND** x **RADIUS**

The catalog number for a Plasti-Bond coated steel 3-1/2" elbow with a 90° bend: **PRHELB-3-1/2X90**

For a 4" coated steel large radius elbow with a 45° bend and a 30" special radius : **PRHELB-4X45X30**

### For aluminum conduit elbows:

**PRELB-AL** – **SIZE** x **BEND** x **RADIUS**

The catalog number for a Plasti-Bond aluminum 3-1/2" elbow with a 90° bend: **PRELB-AL-3-1/2X90**

For a 4" aluminum large radius elbow with a 45° bend and a 30" special radius: **PRELB-AL-4X45X30**

## TRY IT!

Enter "PRHELB" for Standard Elbow Prefix or "PRELB-AL" for Aluminum Elbow Prefix

Enter Trade Size

Enter the Degree of Bend

For Large Radius Elbows Enter Radius

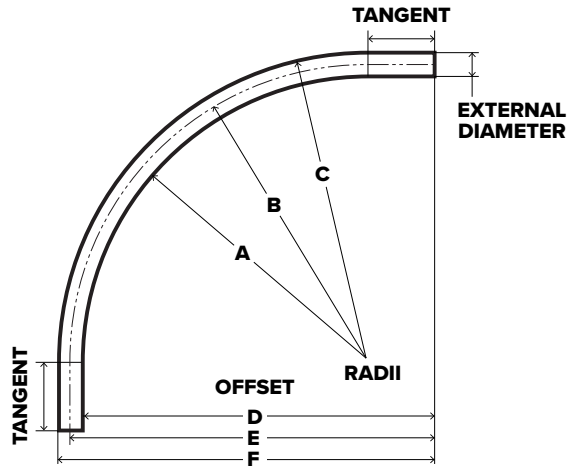
PRHELB or PRELB-AL – [ ] x [ ] x [ ]

This number can then be looked up in the price list to determine price and availability.



# PVC-Coated Elbows

*A = Radius at inside of bend*  
*B = Radius at center line of bend*  
*C = Radius at outside of bend*  
*D = Offset at inside of bend*  
*E = Offset at center of bend*  
*F = Offset at outside of bend*



## Standard Radius Elbows

METRIC SIZE DESIGNATORS	NOMINAL SIZE INCHES	DIAMETERS			RADII			OFFSET			TANGENT INCHES
		EXTERNAL INCHES	INTERNAL INCHES	NIPPLE LENGTHS INCHES	A INCHES	(STANDARD) B INCHES	C INCHES	D INCHES	E INCHES	F INCHES	
16	1/2"	0.920"	0.632"	11-1/4"	3.79"	4.25"	4.71"	6.040"	6.500"	6.960"	2.250"
21	3/4"	1.130"	0.836"	12-1/2"	3.94"	4.50"	5.07"	6.685"	7.250"	7.815"	2.750"
27	1"	1.395"	1.063"	14-3/4"	5.05"	5.75"	6.45"	7.928"	8.625"	9.323"	2.875"
35	1-1/4"	1.740"	1.394"	17-3/4"	6.38"	7.25"	8.12"	9.567"	10.437"	11.307"	3.187"
41	1-1/2"	1.980"	1.624"	19-3/4"	7.26"	8.25"	9.24"	10.635"	11.625"	12.615"	3.375"
53	2"	2.455"	2.083"	22-1/2"	8.27"	9.50"	10.73"	12.086"	13.313"	14.541"	3.813"
63	2-1/2"	2.955"	2.489"	28"	9.02"	10.50"	11.98"	14.776"	16.253"	17.731"	5.753"
78	3"	3.580"	3.080"	32"	11.21"	13.00"	14.79"	17.000"	18.790"	20.580"	5.790"
91	3-1/2"	4.080"	3.570"	39-1/2"	12.96"	15.00"	17.04"	20.920"	22.960"	25.000"	7.960"
103	4"	4.580"	4.050"	39-1/2"	13.71"	16.00"	18.29"	20.890"	23.180"	25.470"	7.180"
129	5"	5.643"	5.073"	59-1/2"	21.18"	24.00"	26.82"	32.079"	34.900"	37.722"	10.900"
155	6"	6.705"	6.093"	76"	26.65"	30.00"	33.35"	41.088"	44.440"	47.793"	14.440"

## Special Radius Elbows

<b>B - RADIUS IN INCHES</b>	12"	15"	18"	18"	24"	24"	30"	30"	36"	36"	36"	42"	42"	48"	48"	48"
<b>E - OFFSET</b>	1'5-1/2"	1'9-1/4"	2'1/4"	2'3"	2'8"	2'10"	3'4"	3'5"	3'11"	3'11-1/4"	4'3-1/4"	4'5"	4'6"	5'1/4"	5'1-1/4"	5'3-1/4"
<b>NIPPLE LENGTH</b>	2'6"	3'0"	3'5"	3'10"	4'6"	4'9"	5'6"	5'9"	6'7"	6'7"	7'3"	7'4"	7'6"	8'4"	8'6"	8'10"
<b>TANGENT</b>	5-1/2"	6-1/4"	6-1/4"	9"	8"	10"	10"	11"	11"	11-1/4"	15-1/4"	11"	12"	12-1/4"	13-1/4"	15-1/4"
<b>AVAILABLE PIPE SIZES</b>	1" & 2"	2"	1"	1-1/2" to 3"	3/4" to 2"	2-1/2" to 5"	2" to 3"	4" to 5"	3/4" to 4"	5"	6"	4"	5"	1-1/2" to 4"	5"	6"

Plasti-Bond REDH<sub>2</sub>O factory-bent elbows are also available in larger than standard radii to accommodate your special needs. Simply follow the four steps for standard radius elbows on the previous page, then continue with Steps 5 and 6 for large radius elbows. Refer to the table below to determine which radius is available for the size of conduit you need.

To use the Long or Special Radius Elbow table, find the elbow radius required in the first row. Then look down the column to determine which conduit sizes are available in that radius. Use this information in Steps 5 and 6 on the previous page to build a catalog number.

# PVC-Coated Couplings



ALUMINUM

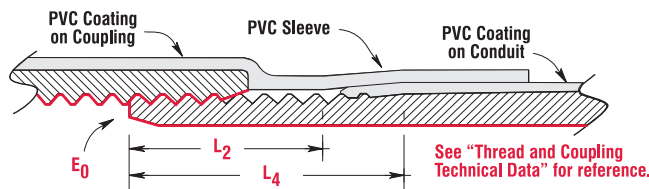


STEEL

COUPLINGS

## Description

PVC-coated couplings with red urethane interior connect conduit sections. Electrical continuity is maintained across assembled joints. PVC sleeves overlap conduit, preventing corrosive liquids and vapors from attacking threaded joints.



All female pipe openings are provided with a PVC sleeve sized to fit tightly over the PVC-coated conduit when assembled. This prevents corrosion from attacking threaded joints, and are not to be removed.

## Features

- 40 mil gray PVC exterior coating
- 2 mil red urethane interior coating over galvanized threads
- 12 trade sizes from 1/2" through 6"
- Sealing sleeves on both ends
- Molded external ribs on 1/2" through 4" for ease of installation
- Couplings are straight tapped

## Standards

### Steel and Aluminum

- UL 6 (E2314); UL 6A (E98405)
- CSA C22.2 No. 45

## Thread and Coupling Technical Data

COUPLING						THREADS			ALUMINUM CATALOG #
METRIC SIZE DESIGNATORS	PIPE SIZE INCHES	STEEL CATALOG #	NOMINAL WEIGHT PER 100 (POUNDS)	OUTSIDE DIAMETER WITH RIBS INCHES	THREADS PER INCH	EFFECTIVE LENGTH L <sub>2</sub>	TOTAL LENGTH OF THREADS TO VANISH POINT L <sub>4</sub>	PITCH AT END OF THREAD 3/4 IN. TAPER E <sub>0</sub>	
16	1/2"	PRCPLG-1/2	19	1.344"	14	.5337"	.7815"	.7584"	PRCPLG-AL-1/2
21	3/4"	PRCPLG-3/4	32	1.531"	14	.5457"	.7935"	.9677"	PRCPLG-AL-3/4
27	1"	PRCPLG-1	40	1.781"	11-1/2	.6828"	.9845"	1.2136"	PRCPLG-AL-1
35	1-1/4"	PRCPLG-1-1/4	50	2.156"	11-1/2	.7068"	1.0085"	1.5571"	PRCPLG-AL-1-1/4
41	1-1/2"	PRCPLG-1-1/2	69	2.469"	11-1/2	.7235"	1.0252"	1.7961"	PRCPLG-AL-1-1/2
53	2"	PRCPLG-2	93	2.969"	11-1/2	.7565"	1.0582"	2.2690"	PRCPLG-AL-2
63	2-1/2"	PRCPLG-2-1/2	123	3.594"	8	1.1375"	1.5712"	2.7195"	PRCPLG-AL-2-1/2
78	3"	PRCPLG-3	217	4.250"	8	1.2000"	1.6337"	3.3406"	PRCPLG-AL-3
91	3-1/2"	PRCPLG-3-1/2	422	4.875"	8	1.2500"	1.6837"	3.8375"	PRCPLG-AL-3-1/2
103	4"	PRCPLG-4	391	5.250"	8	1.3000"	1.7337"	4.3344"	PRCPLG-AL-4
129	5"	PRCPLG-5	550	6.080"	8	1.4063"	1.8400"	5.3907"	PRCPLG-AL-5
155	6"	PRCPLG-6	884	7.280"	8	1.5125"	1.9462"	6.4461"	PRCPLG-AL-6

# PVC-Coated SpeedCouple



## Features

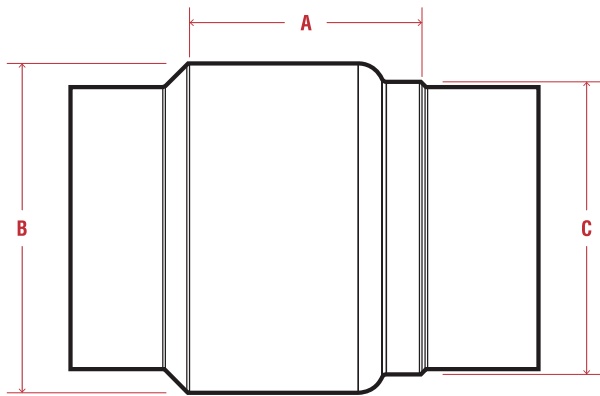
- Trade sizes 2" through 6"
- 40 mil gray PVC exterior coating, urethane interior coating
- Sealing Sleeves on both ends
- Stainless Steel Locking Screw
- Lead-in threads facilitate threading & ground continuity
- Concrete tight
- Suitable for direct burial
- NPT Threads

## Description

PVC-Coated SpeedCouple is used to quickly and easily install PVC-coated rigid conduit and elbows. Rated for direct burial and ideal for tight space applications, PVC-Coated SpeedCouple allows you to complete connections without having to turn the conduit or elbows.

## Standards

- UL514B
- CSA C22.2 No. 18.3-12
- File Number - E200413



## Dimensions

COUPLING SIZE	A	B	C
2"	2.459	2.955	2.64
2-1/2"	3.425	3.58	3.131
3"	3.545	4.19	3.748
3-1/2"	3.665	4.83	4.25
4"	3.761	5.33	4.755
5"	4.065	6.355	5.86
6"	4.065	7.463	6.91

## Ordering Information

CATALOG NUMBER	DESCRIPTION	WEIGHT PER 100 (LBS)	STANDARD PACK QUANTITY	UPC	AVAIL. CODE
PRSCPLG-2	2" PVC-COATED SPEEDCOUPLE	88	30	784011923090	1
PRSCPLG-2-1/2	2-1/2" PVC-COATED SPEEDCOUPLE	176	9	784011923106	1
PRSCPLG-3	3" PVC-COATED SPEEDCOUPLE	198	8	784011923113	1
PRSCPLG-3-1/2	3-1/2" PVC-COATED SPEEDCOUPLE	265	8	784011923120	1
PRSCPLG-4	4" PVC-COATED SPEEDCOUPLE	309	8	784011923137	1
PRSCPLG-5	5" PVC-COATED SPEEDCOUPLE	397	4	784011923144	1
PRSCPLG-6	6" PVC-COATED SPEEDCOUPLE	525	2	784011923151	1

# Cast Device Boxes



## Description

Plasti-Bond device boxes and covers are available in several configurations and may be used in coated conduit systems to accommodate wiring devices, to serve as pull boxes for conductors, or to allow for splices and taps in conductors. Covers are available separately. Electrical continuity of the conduit system is maintained across assembled joints.

## Features

- 40 mil gray PVC exterior coating
- 2 mil red urethane interior coating
- 3 trade sizes from 1/2" through 1"
- Available in Standard (FS) and Deep (FD) styles
- Internal grounding screw is standard
- Sealing sleeves on all female conduit openings

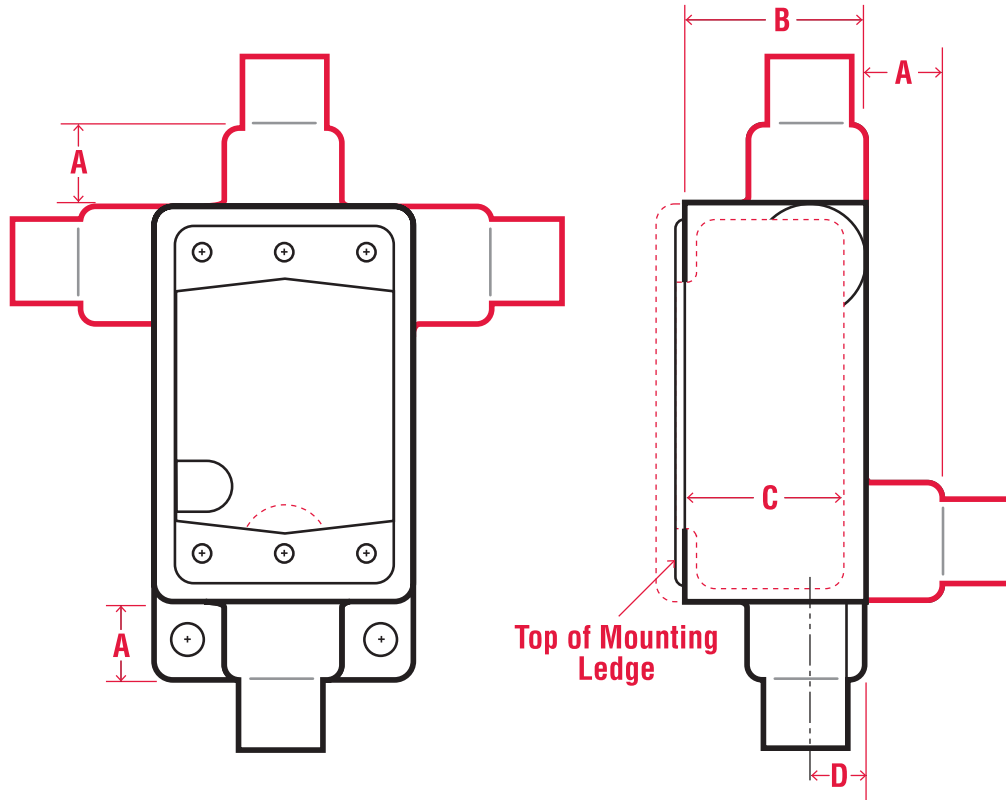
## Standards

### Steel and Aluminum

- UL 514A, 514D (E231035)
- CSA C22.2 No. 18, CSA C22.2 No. 42

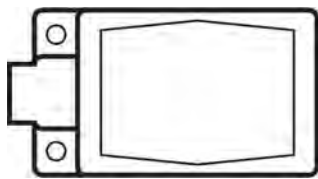


# Cast Device Boxes – Single Gang



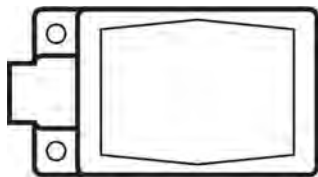
All configurations offered in both 'FS' or 'FD' box depths. FS prefix: Shallow configuration, FD prefix: Deep configuration.

\* Available in copper-free aluminum.



## FS Series (Shallow Box) - Single Gang Dead End

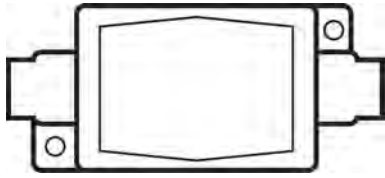
PIPE SIZE	FERROUS CATALOG #	NOMINAL WEIGHT	A	B	C	D	ALUMINUM CATALOG #
1/2"	PRFS1	3.2	0.88	1.92	1.69	0.67	PRFS1SA*
3/4"	PRFS2	3.3	0.88	1.92	1.69	0.79	PRFS2SA*
1"	PRFS3	3.5	1.00	1.92	1.69	0.92	PRFS3SA*



## FD Series (Deep Box) - Single Gang Dead End

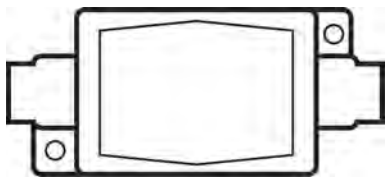
PIPE SIZE	FERROUS CATALOG #	NOMINAL WEIGHT	A	B	C	D	ALUMINUM CATALOG #
1/2"	PRFD1	2.7	0.88	2.69	2.50	0.67	PRFD1SA*
3/4"	PRFD2	2.8	0.88	2.69	2.50	0.79	PRFD2SA*
1"	PRFD3	3.1	1.00	2.69	2.50	0.92	PRFD3SA*

# Cast Device Boxes – Single Gang



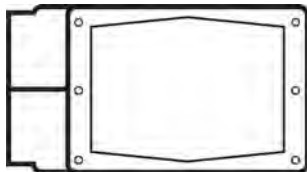
**FSC Series**  
(Shallow Box) - Single Gang Through Feed

PIPE SIZE	FERROUS CATALOG #	NOMINAL WEIGHT	A	B	C	D	ALUMINUM CATALOG #
1/2"	PRFSC1	2.2	0.88	1.92	1.69	0.67	PRFSC1SA*
3/4"	PRFSC2	2.4	0.88	1.92	1.69	0.79	PRFSC2SA*
1"	PRFSC3	2.7	1.00	1.92	1.69	0.92	PRFSC3SA*



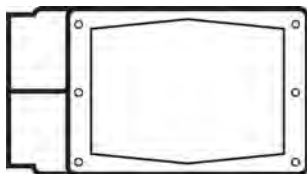
**FDC Series**  
(Deep Box) - Single Gang Through Feed

PIPE SIZE	FERROUS CATALOG #	NOMINAL WEIGHT	A	B	C	D	ALUMINUM CATALOG #
1/2"	PRFDC1	2.7	0.88	2.69	2.50	0.67	PRFDC1SA*
3/4"	PRFDC2	2.8	0.88	2.69	2.50	0.79	PRFDC2SA*
1"	PRFDC3	3.1	1.00	2.69	2.50	0.92	PRFDC3SA*



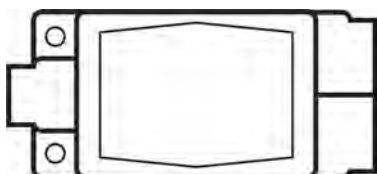
**FSS Series**

PIPE SIZE	FERROUS CATALOG #	NOMINAL WEIGHT	A	B	C	D	ALUMINUM CATALOG #
1/2"	PRFSS1	3.2	0.88	1.92	1.69	0.67	PRFSS1SA*
3/4"	PRFSS2	3.3	0.88	1.92	1.69	0.79	PRFSS2SA*
1"	PRFSS3	3.5	1.00	1.92	1.69	0.92	–



**FDD Series**

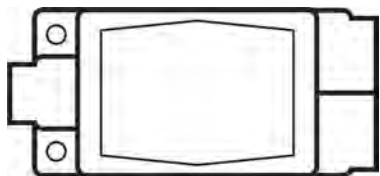
PIPE SIZE	FERROUS CATALOG #	NOMINAL WEIGHT	A	B	C	D	ALUMINUM CATALOG #
1/2"	PRFDD1	2.7	0.88	2.69	2.50	0.67	–
3/4"	PRFDD2	2.8	0.88	2.69	2.50	0.79	PRFDD2SA*
1"	PRFDD3	3.1	1.00	2.69	2.50	0.92	–



**FSCC Series**

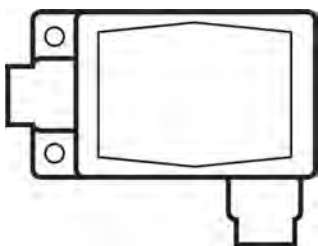
PIPE SIZE	FERROUS CATALOG #	NOMINAL WEIGHT	A	B	C	D
1/2"	PRFSCC1	2.0	0.88	1.92	1.69	0.67
3/4"	PRFSCC2	2.2	0.88	1.92	1.69	0.79

# Cast Device Boxes – Single Gang



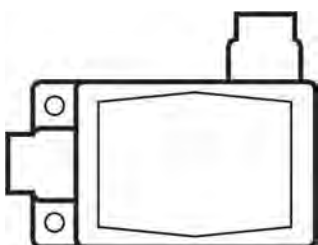
## FDCC Series

PIPE SIZE	FERROUS CATALOG #	NOMINAL WEIGHT	A	B	C	D
1/2"	PRFDCC1	2.7	0.88	2.69	2.50	0.67
3/4"	PRFDCC2	2.8	0.88	2.69	2.50	0.79



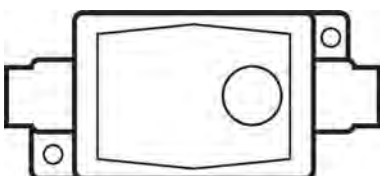
## FDL Series

PIPE SIZE	FERROUS CATALOG #	NOMINAL WEIGHT	A	B	C	D
1/2"	PRFDL1	3.1	0.88	2.69	2.50	0.67
3/4"	PRFDL2	3.3	0.88	2.69	2.50	0.79



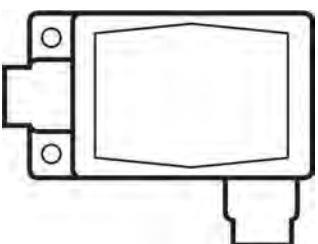
## FDR Series

PIPE SIZE	FERROUS CATALOG #	NOMINAL WEIGHT	A	B	C	D
1/2"	PRFDR1	3.2	0.88	2.69	2.50	0.67
3/4"	PRFDR2	3.3	0.88	2.69	2.50	0.79



## FSCA Series

PIPE SIZE	FERROUS CATALOG #	NOMINAL WEIGHT	A	B	C	D
1/2"	PRFSCA1	2.5	0.88	1.92	1.69	0.67
3/4"	PRFSCA2	3.5	0.88	1.92	1.69	0.79

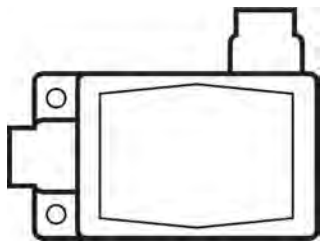


## FSL Series

PIPE SIZE	FERROUS CATALOG #	NOMINAL WEIGHT	A	B	C	D
1/2"	PRFSL1	2.5	0.88	1.92	1.69	0.67
3/4"	PRFSL2	2.7	0.88	1.92	1.69	0.79

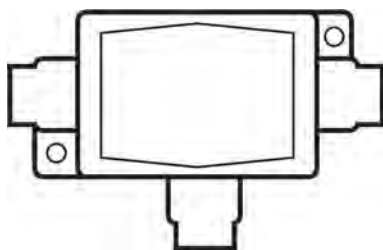


# Cast Device Boxes – Single Gang



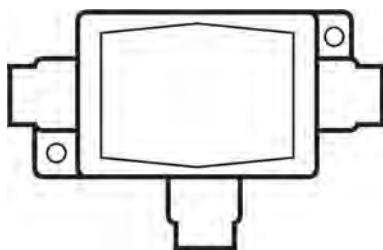
## FSR Series

PIPE SIZE	FERROUS CATALOG #	NOMINAL WEIGHT	A	B	C	D
1/2"	PRFSR1	2.0	0.88	1.92	1.69	0.67
3/4"	PRFSR2	2.2	0.88	1.92	1.69	0.79



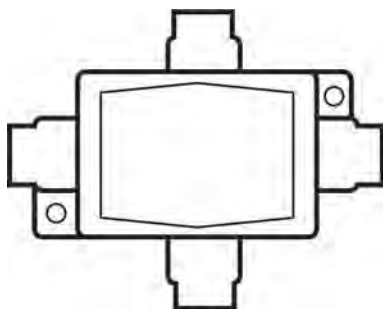
## FDCT Series

PIPE SIZE	FERROUS CATALOG #	NOMINAL WEIGHT	A	B	C	D
1/2"	PRFDCT1	3.1	0.88	2.69	2.50	0.67
3/4"	PRFDCT2	3.4	0.88	2.69	2.50	0.79
1"	PRFDCT3	3.9	1.00	2.69	2.50	0.92



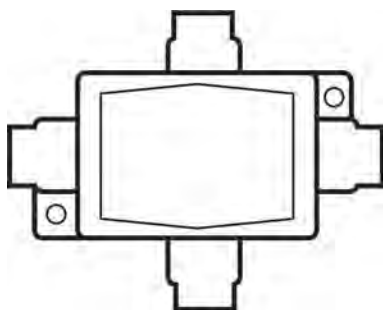
## FSCT Series

PIPE SIZE	FERROUS CATALOG #	NOMINAL WEIGHT	A	B	C	D
1/2"	PRFSCT1	2.2	0.88	1.92	1.69	0.67
3/4"	PRFSCT2	2.5	0.88	1.92	1.69	0.79
1"	PRFSCT3	2.8	1.00	1.92	1.69	0.92



## FSX Series

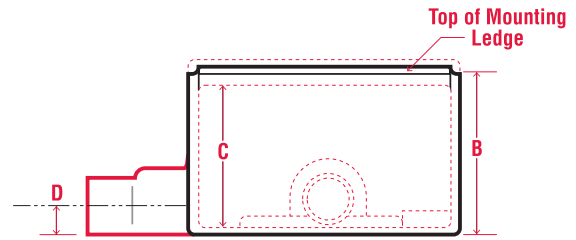
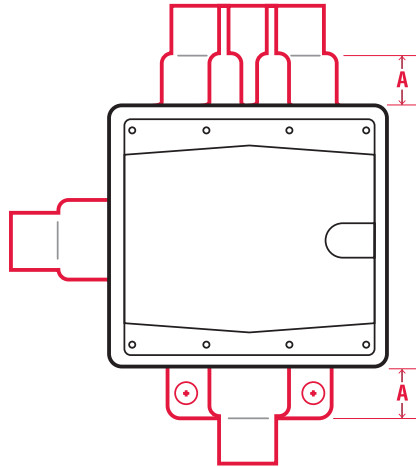
PIPE SIZE	FERROUS CATALOG #	NOMINAL WEIGHT	A	B	C	D
1/2"	PRFSX1	2.5	0.88	1.92	1.69	0.67
3/4"	PRFSX2	2.7	0.88	1.92	1.69	0.79



## FDX Series

PIPE SIZE	FERROUS CATALOG #	NOMINAL WEIGHT	A	B	C	D
1/2"	PRFDX1	2.5	0.88	2.69	2.50	0.67
3/4"	PRFDX2	2.7	0.88	2.69	2.50	0.79
1"	PRFDX3	2.5	1.00	2.69	2.50	0.92

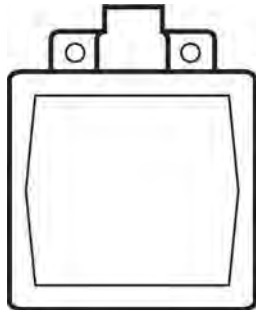
# Cast Device Boxes – Two Gang



All configurations offered in both 'FS' or 'FD' box depths. FS prefix: Shallow configuration, FD prefix: Deep configuration.

\* Available in copper-free aluminum.

CONDUIT BOXES

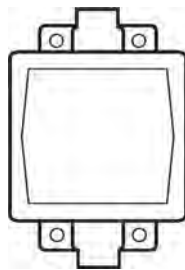


## FS Series (Shallow Box) - Two Gang Dead End

PIPE SIZE	FERROUS CATALOG #	NOMINAL WEIGHT	A	B	C	D	ALUMINUM CATALOG #
1/2"	PRFS12	3.3	0.88	1.92	1.69	0.67	PRFS12SA*
3/4"	PRFS22	3.4	0.88	1.92	1.69	0.79	PRFS22SA*
1"	PRFS32	3.6	1.00	1.92	1.69	0.92	-

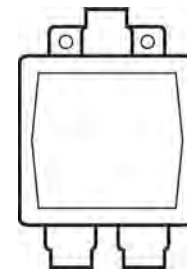
## FD Series (Deep Box) - Two Gang

PIPE SIZE	FERROUS CATALOG #	NOMINAL WEIGHT	A	B	C	D	ALUMINUM CATALOG #
1/2"	PRFD12	3.3	0.88	2.69	2.50	0.67	-
3/4"	PRFD22	3.3	0.88	2.69	2.50	0.79	PRFD22SA*
1"	PRFD32	3.6	1.00	2.69	2.50	0.92	-



## FSC Series (Shallow Box) - Two Gang Through Feed

PIPE SIZE	FERROUS CATALOG #	NOMINAL WEIGHT	A	B	C	D
1/2"	PRFSC12	3.3	0.88	1.92	1.69	0.67
3/4"	PRFSC222	3.6	0.88	1.92	1.69	0.79
1"	PRFSC32	4.0	1.00	1.92	1.69	0.92



## FSD Series (Deep Box) - Two Gang Through Feed

PIPE SIZE	CATALOG #	NOMINAL WEIGHT	A	B	C	D	2 BOTTOM HUBS
3/4"	PRFSD212	2.5	0.88	2.69	1.69	.79	1/2"

\* Bottom hubs are 1/2".

# Cast Device Box Covers

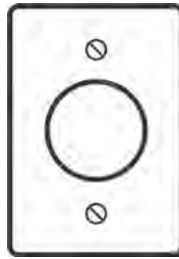
## FS/FD Single Gang Cover Configurations



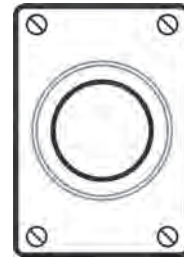
PBDS100



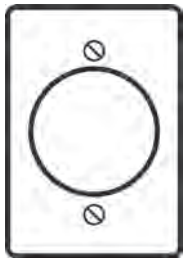
PBDS100G



PBDS21



PBDS21G



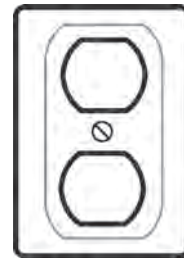
PBDS35



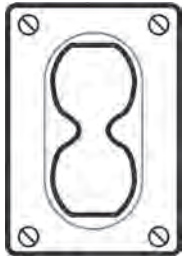
PBDS32G



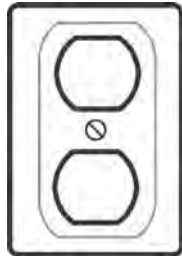
PBDS128



PBDS23



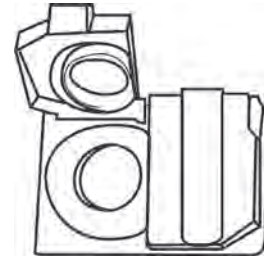
PBDS23G



PBDS32



PBWLR1



PBWLRD1

## Ferrous Covers - One Gang

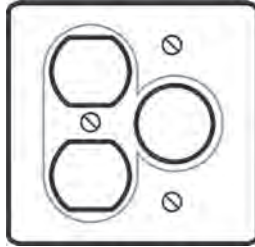
CATALOG #	DESCRIPTION	NOMINAL WEIGHT
PBDS32	General Use Snap On Or Toggle (S)	0.4
PBDS23G	Duplex Convenience Receptacle (S,F)	0.4
PBDS35	Plug Receptacle 1-5/8" Diameter (S)	0.4
PBDS21	3P 2W Grounding Round Flush Receptacles (S)	0.3
PBDS21G	3P 2W Grounding Round Flush Receptacles (S,F)	0.3
PBDS23	Duplex Convenience Receptacle (S)	0.3
PBDS32G	Square Handle Snap Or Toggle (S, F)	0.4

## Aluminum Covers - One Gang

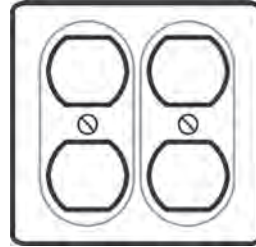
CATALOG #	DESCRIPTION	NOMINAL WEIGHT
PBDS23SA	Duplex Convenience Receptacle (S)	0.1
PBDS100	Blank Cover (S)	0.1
PBDS128	Snap Switch	0.5
PBDS100G	Blank Cover Cast (S,F)	0.3
PBWLRD1	Spring Door Duplex Cover 1-3/8" (F)	0.4
PBWLR1	Spring Door Single Cover 1-3/8" (F)	0.3
PBWLRD2	Spring Door Duplex Cover 1-1/2" (F)	0.3
PRWLG-FS	Spring Door Cover For GFCI (S) - Horizontal	0.5
PRWLG-FSV	Spring Door Cover For GFCI (S) - Vertical	0.5
PRWLG	Spring Door Cover For GFCI (F) - Horizontal	0.5

# Cast Device Box Covers

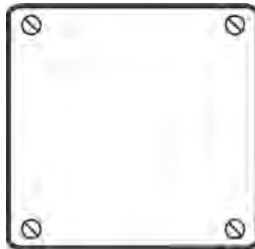
## FS/FD 2 Gang Cover Configurations



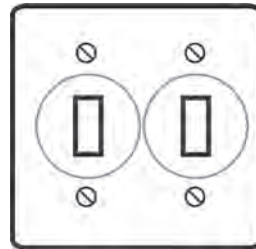
PBS21232



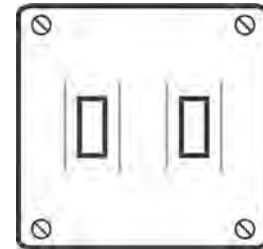
PBS232



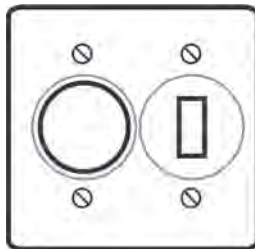
PBS1002



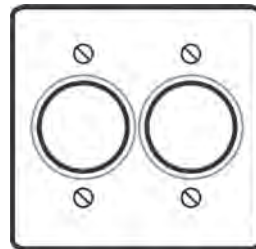
PBS322



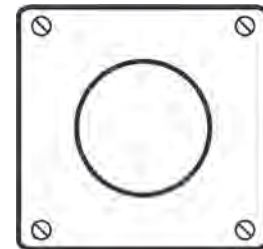
PBS322G



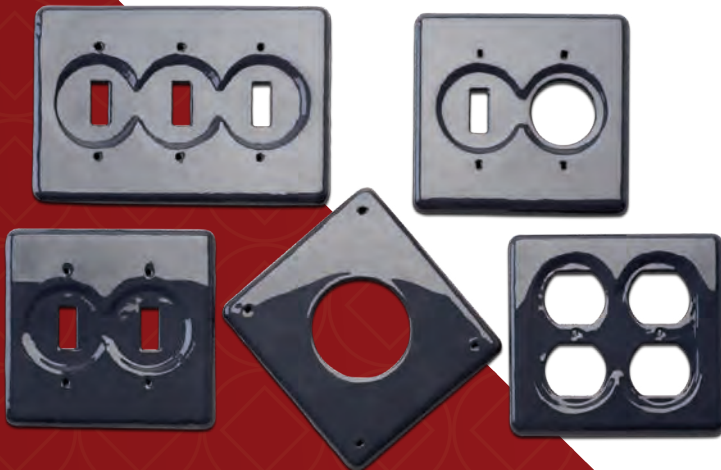
PBS32212



PBS212



PBS612



### Ferrous Covers - Two Gang

CATALOG #	DESCRIPTION	NOMINAL WEIGHT
PBS1002	Blank Cover Sheet Steel (S)	1.0
PBS1002G	Blank Cover Iron Alloy (S,F)	1.0
PBS21232	Round Receptacle + Duplex Convenience	1.2
PBS232	Duplex Convenience (S)	1.2
PBS322	Snap Switch (S)	1.0
PBS32212	Round Receptacle + Snap Switch (S)	1.2
PBS212	Two Round Receptacles (S)	2.0
PBS612	20 Amp, 250 Volt Receptacle (S)	1.2
PBS322G	Snap Switches Iron Alloy (S,F)	1.2



# Conduit Bodies and Covers

## CONDUIT BODIES AND COVERS FOR GENERAL SERVICE LOCATIONS



### Description

Plasti-Bond REDH<sub>2</sub>OT conduit bodies with covers are offered in Form 7, Form 8, and Mark 9 styles, each with numerous configurations to provide a complete coated conduit system. May be used to make 90° bends, for pull outlets, to provide for taps or splices, to act as a mounting outlet for wiring devices or lighting fixtures, etc. Form 8 and Mark 9 style fittings from ½” through 4” have an integral V-Seal gasket for superior corrosion protection. Electrical continuity of the conduit system is maintained across assembled joints.

### Features

- 40 mil gray PVC exterior coating
- 2 mil red urethane interior coating
- Sealing sleeves on all female conduit openings
- Form 7 style cover uses retained stainless screw and wedge clip design
- Form 8 style cover uses plastic encapsulated stainless steel screws with retainers built into covers
- Integral V-Seal gasket on Form 8 and Mark 9 style

### Standards

#### Steel and Aluminum

- UL 514A, 514B, 514D (E231035)
- CSA C22.2 No. 18, CSA C22.2 No. 42

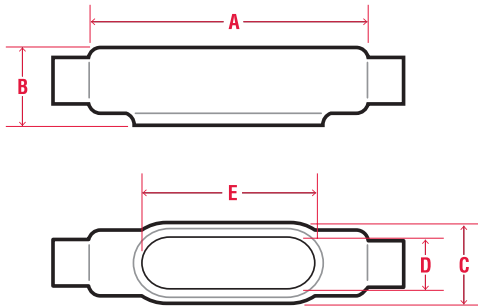
#### Form 8 & Mark 9 Fittings – ½” through 4”

- IEC IP69
- UL Type 4X

**NOTE:** Form 7 fittings are not available with encapsulated screws. All cover screws are stainless steel.

# Conduit Bodies and Covers

## CONDUIT BODIES AND COVERS FOR GENERAL SERVICE LOCATIONS



### C Form 7

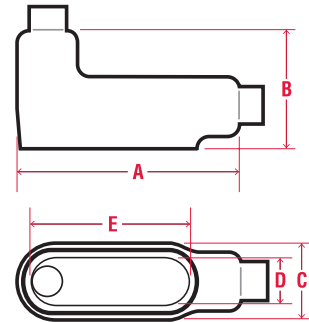
PIPE SIZE	FERROUS CATALOG #	NOMINAL WEIGHT	A	B	C	D	E	ALUMINUM CATALOG #
1/2"	PRC17	1.0	5.38	1.42	1.46	0.94	3.19	PRC17SA
3/4"	PRC27	1.4	6.00	1.67	1.64	1.13	3.81	PRC27SA
1"	PRC37	2.2	7.00	1.92	1.83	1.38	4.50	PRC37SA
1-1/4"	PRC47	2.7	7.44	2.35	2.27	1.75	5.00	PRC47SA
1-1/2"	PRC57	4.0	8.19	2.60	2.52	1.94	5.44	PRC57SA
2"	PRC67	5.5	9.19	3.17	3.08	2.44	6.38	PRC67SA
2-1/2"	PRC77	10.0	12.00	3.67	4.33	3.56	8.38	PRC77SA
3"	PRC87	11.8	11.75	4.42	4.33	3.56	8.38	PRC87SA

### C Form 8

PIPE SIZE	FERROUS CATALOG #	NOMINAL WEIGHT	A	B	C	D	E
1/2"	PRHC18	2.0	5.69	1.48	1.46	1.00	3.31
3/4"	PRHC28	2.3	6.28	1.73	1.27	1.19	3.94
1"	PRHC38	2.8	7.31	1.98	1.83	1.38	4.56
1-1/4"	PRHC448	4.5	8.50	2.42	2.27	1.75	5.31
1-1/2"	PRHC58	6.5	10.38	2.82	2.83	2.13	6.50
2"	PRHC68	10.3	12.25	3.60	3.83	3.00	8.56
2-1/2"	PRC78	18.0	15.63	4.48	5.08	4.25	10.88
3"	PRC88	20.5	15.63	4.85	5.08	4.25	10.88

### C Mark 9

PIPE SIZE	NOMINAL WEIGHT	A	B	C	D	E	ALUMINUM CATALOG #
1/2"	2.0	5.00	1.42	1.46	1.19	3.31	PRC19
3/4"	2.3	5.69	1.67	1.64	1.38	3.94	PRC29
1"	2.8	6.59	1.92	1.83	1.50	4.56	PRC39
1-1/4"	4.5	7.50	2.54	2.27	1.94	5.31	PRC49
1-1/2"	6.5	8.25	2.79	2.58	2.25	6.00	PRC59
2"	10.3	10.50	3.48	3.27	2.88	8.06	PRC69
2-1/2"	18.0	15.63	4.48	5.08	4.25	10.88	PRC789
3"	20.5	15.63	4.85	5.08	4.25	10.88	PRC889
3-1/2"	10.0	18.75	5.73	6.33	5.44	13.44	PRC989
4"	12.0	18.75	5.98	6.33	5.44	13.44	PRC1089



### LB Form 7

PIPE SIZE	FERROUS CATALOG #	NOMINAL WEIGHT	A	B	C	D	E	ALUMINUM CATALOG #
1/2"	PRLB17	1.1	4.60	2.25	1.46	0.94	3.19	PRLB17SA
3/4"	PRLB27	1.7	5.24	2.50	1.64	1.13	3.81	PRLB27SA
1"	PRLB37	2.2	6.04	2.88	1.83	1.38	4.50	PRLB37SA
1-1/4"	PRLB47	3.1	6.54	3.31	2.27	1.75	5.00	PRLB47SA
1-1/2"	PRLB57	3.8	7.17	3.69	2.52	1.94	5.44	PRLB57SA
2"	PRLB67	5.2	8.17	4.25	3.08	2.44	6.38	PRLB67SA
2-1/2"	PRLB777	10.0	10.54	5.13	4.33	3.56	8.38	PRLB777SA
3"	PRLB87	13.0	10.54	5.88	4.33	3.56	8.38	PRLB87SA
3-1/2"	PRLB97	19.0	12.73	6.56	5.33	4.50	10.25	PRLB97SA
4"	PRLB107	18.5	12.73	7.06	5.33	4.50	10.25	PRLB107SA

### LB Form 8

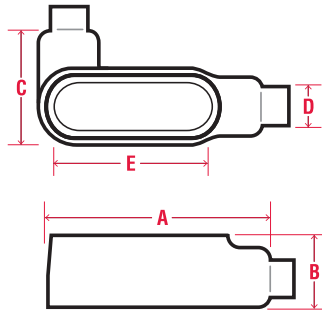
PIPE SIZE	FERROUS CATALOG #	NOMINAL WEIGHT	A	B	C	D	E
1/2"	PRHLB18	1.5	4.98	2.22	1.46	1.00	3.31
3/4"	PRHLB28	2.0	5.60	2.44	1.64	1.19	3.94
1"	PRHLB38	2.9	6.51	2.81	1.83	1.38	4.56
1-1/4"	PRHLB448	4.1	7.57	3.34	2.27	1.75	5.31
1-1/2"	PRHLB58	6.5	9.17	4.03	2.83	2.13	6.50
2"	PRHLB68	8.2	11.04	4.81	3.83	3.00	8.56
2-1/2"	PRLB78	18.2	13.98	6.13	5.08	4.25	10.88
3"	PRLB888	21.2	13.98	6.50	5.08	4.25	10.88
3-1/2"	PRLB98	31.2	16.92	7.56	6.33	5.44	13.44
4"	PRLB108	32.0	16.92	7.81	6.33	5.44	13.44

### LB Mark 9

PIPE SIZE	NOMINAL WEIGHT	A	B	C	D	E	ALUMINUM CATALOG #
1/2"	1.5	4.63	2.13	1.46	1.19	3.31	PRLB19
3/4"	2.0	5.29	2.41	1.64	1.38	3.94	PRLB29
1"	2.9	6.13	2.84	1.83	1.50	4.56	PRLB39
1-1/4"	4.1	7.07	3.47	2.27	1.94	5.31	PRLB49
1-1/2"	6.5	7.79	3.75	2.58	2.25	6.00	PRLB59
2"	8.2	10.07	4.47	3.27	2.88	8.06	PRLB69
2-1/2"	18.2	13.98	6.13	5.08	4.25	10.88	PRLB789
3"	21.2	13.98	6.50	5.08	4.25	10.88	PRLB889
3-1/2"	31.2	16.92	7.56	6.33	5.44	13.44	PRLB989
4"	32.0	16.92	7.81	6.33	5.44	13.44	PRLB1089

# Conduit Bodies and Covers

## CONDUIT BODIES AND COVERS FOR GENERAL SERVICE LOCATIONS



**LL Form 7**

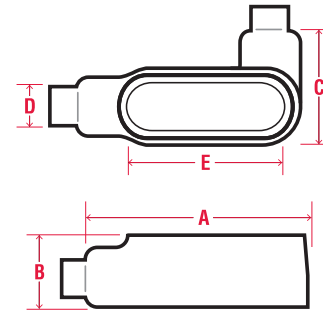
PIPE SIZE	FERROUS CATALOG #	NOMINAL WEIGHT	A	B	C	D	E	ALUMINUM CATALOG #
1/2"	PRLL17	1.2	4.60	1.42	2.29	0.94	3.19	PRLL17SA
3/4"	PRLL27	1.6	5.23	1.67	2.48	1.13	3.81	PRLL27SA
1"	PRLL37	2.1	6.04	1.92	2.79	1.38	4.50	PRLL37SA
1-1/4"	PRLL47	3.0	6.54	2.35	3.23	1.75	5.00	PRLL47SA
1-1/2"	PRLL57	4.1	7.17	2.60	3.60	1.94	5.44	PRLL57SA
2"	PRLL67	5.7	8.17	3.17	4.17	2.44	6.38	PRLL67SA
2-1/2"	PRLL77	10.0	10.54	3.67	5.79	3.56	8.38	PRLL77SA
3"	PRLL87	12.7	10.54	4.42	5.79	3.56	8.38	PRLL87SA
3-1/2"	PRLL97	19.0	12.73	4.92	6.98	4.50	10.25	PRLL97SA
4"	PRLL107	19.0	12.73	5.42	6.98	4.50	10.25	PRLL107SA

**LL Form 8**

PIPE SIZE	FERROUS CATALOG #	NOMINAL WEIGHT	A	B	C	D	E
1/2"	PRHLL18	1.4	4.98	1.48	2.20	1.00	3.31
3/4"	PRHLL28	2.1	5.60	1.73	2.35	1.19	3.94
1"	PRHLL38	2.6	6.51	1.98	2.67	1.38	4.56
1-1/4"	PRHLL448	4.2	7.61	2.42	3.20	1.75	5.31
1-1/2"	PRHLL58	6.2	9.17	2.82	4.04	2.13	6.50
2"	PRHLL68	10.5	11.04	3.60	5.04	3.00	8.56
2-1/2"	PRLL78	19.0	13.98	4.48	6.73	4.25	10.88
3"	PRLL888	21.5	13.98	4.85	6.73	4.25	10.88

**LL Mark 9**

PIPE SIZE	NOMINAL WEIGHT	A	B	C	D	E	ALUMINUM CATALOG #
1/2"	1.4	4.63	1.42	2.17	1.19	3.31	PRLL19
3/4"	2.1	5.29	1.67	2.42	1.38	3.94	PRLL29
1"	2.6	6.13	1.92	2.67	1.50	4.56	PRLL39
1-1/4"	4.2	7.07	2.54	3.13	1.94	5.31	PRLL49
1-1/2"	6.2	7.79	2.79	3.48	2.25	6.00	PRLL59
2"	10.5	10.07	3.48	4.17	2.88	8.06	PRLL69
2-1/2"	19.0	13.98	4.48	6.73	4.25	10.88	PRLL789
3"	21.5	13.98	4.85	6.73	4.25	10.88	PRLL889
3-1/2"	21.5	16.92	5.73	8.17	5.44	13.44	PRLL989
4"	24.5	16.92	5.98	8.17	5.44	13.44	PRLL1089



**LR Form 7**

PIPE SIZE	FERROUS CATALOG #	NOMINAL WEIGHT	A	B	C	D	E	ALUMINUM CATALOG #
1/2"	PRLR17	1.2	4.60	1.42	2.29	0.94	3.19	PRLR17SA
3/4"	PRLR27	1.6	5.23	1.67	2.48	1.13	3.81	PRLR27SA
1"	PRLR37	2.1	6.04	1.92	2.79	1.38	4.50	PRLR37SA
1-1/4"	PRLR47	3.0	6.54	2.35	3.23	1.75	5.00	PRLR47SA
1-1/2"	PRLR57	4.1	7.17	2.60	3.60	1.94	5.44	PRLR57SA
2"	PRLR67	5.7	8.17	3.17	4.17	2.44	6.38	PRLR67SA
2-1/2"	PRLR77	10.0	10.54	3.67	5.79	3.56	8.38	PRLR77SA
3"	PRLR87	12.7	10.54	4.42	5.79	3.56	8.38	PRLR87SA
3-1/2"	PRLR97	19.0	12.73	4.92	6.98	4.50	10.25	PRLR97SA
4"	PRLR107	19.0	12.73	5.42	6.98	4.50	10.25	PRLR107SA

**LR Form 8**

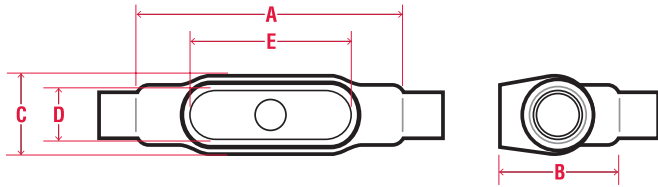
PIPE SIZE	FERROUS CATALOG #	NOMINAL WEIGHT	A	B	C	D	E
1/2"	PRHLR18	1.4	4.98	1.48	2.20	1.00	3.31
3/4"	PRHLR28	2.1	5.60	1.73	2.35	1.19	3.94
1"	PRHLR38	2.6	6.51	1.98	2.67	1.38	4.56
1-1/4"	PRHLR448	4.5	7.61	2.42	3.20	1.75	5.31
1-1/2"	PRHLR58	6.2	9.17	2.82	4.04	2.13	6.50
2"	PRHLR68	10.7	11.04	3.60	5.04	3.00	8.56
2-1/2"	PRLR78	17.7	13.98	4.48	6.73	4.25	10.88
3"	PRLR888	18.0	13.98	4.85	6.73	4.25	10.88

**LR Mark 9**

PIPE SIZE	NOMINAL WEIGHT	A	B	C	D	E	ALUMINUM CATALOG #
1/2"	1.4	4.63	1.42	2.17	1.19	3.31	PRLR19
3/4"	2.1	5.29	1.67	2.42	1.38	3.94	PRLR29
1"	2.6	6.13	1.92	2.67	1.50	4.56	PRLR39
1-1/4"	4.5	7.07	2.54	3.13	1.94	5.31	PRLR49
1-1/2"	6.2	7.79	2.79	3.48	2.25	6.00	PRLR59
2"	10.7	10.07	3.48	4.17	2.88	8.06	PRLR69
2-1/2"	17.7	13.98	4.48	6.73	4.25	10.88	PRLR789
3"	18.0	13.98	4.85	6.73	4.25	10.88	PRLR889
3-1/2"	21.0	16.92	5.73	8.17	5.44	13.44	PRLR989
4"	24.0	16.92	5.98	8.17	5.44	13.44	PRLR1089

# Conduit Bodies and Covers

## CONDUIT BODIES AND COVERS FOR GENERAL SERVICE LOCATIONS



### TB Form 7

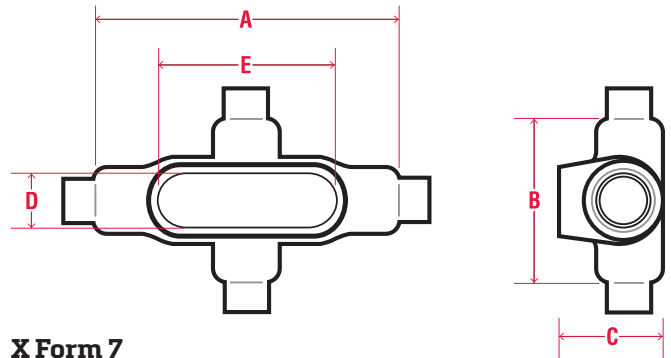
PIPE SIZE	FERROUS CATALOG #	NOMINAL WEIGHT	A	B	C	D	E	ALUMINUM CATALOG #
1/2"	PRTB17	1.6	5.63	2.63	1.64	0.94	3.19	PRTB17SA
3/4"	PRTB27	2.1	6.25	2.88	1.83	1.13	3.81	PRTB27SA
1"	PRTB37	2.7	7.25	3.25	2.08	1.38	4.50	PRTB37SA
1-1/4"	PRTB47	3.7	7.44	3.31	2.27	1.75	5.00	PRTB47SA
1-1/2"	PRTB57	4.7	8.19	5.00	2.52	1.94	5.44	PRTB57SA
2"	PRTB67	7.0	9.19	6.13	3.08	2.44	6.38	PRTB67SA

### TB Form 8

PIPE SIZE	FERROUS CATALOG #	NOMINAL WEIGHT	A	B	C	D	E
1/2"	PRHTB18	2.0	5.69	2.53	1.46	1.00	3.31
3/4"	PRHTB28	2.3	6.28	2.75	1.64	1.19	3.94
1"	PRHTB38	3.1	7.31	3.13	1.83	1.38	4.56
1-1/4"	PRHTB448	5.2	8.50	3.34	2.27	1.75	5.31
1-1/2"	PRHTB58	7.0	10.38	4.03	2.83	2.13	6.50
2"	PRHTB68	11.0	12.25	4.81	3.83	3.00	8.56

### TB Mark 9

PIPE SIZE	NOMINAL WEIGHT	A	B	C	D	E	ALUMINUM CATALOG #
1/2"	2.0	5.00	2.13	1.46	1.19	3.31	PRTB19
3/4"	2.3	5.69	2.41	1.64	1.38	3.94	PRTB29
1"	3.1	6.59	2.84	1.83	1.50	4.56	PRTB39
1-1/4"	5.2	7.50	3.47	2.27	1.94	5.31	PRTB49
1-1/2"	7.0	8.34	3.88	2.58	2.16	5.88	PRTB59
2"	11.0	10.63	4.59	3.30	2.81	8.09	PRTB69



### X Form 7

PIPE SIZE	FERROUS CATALOG #	NOMINAL WEIGHT	A	B	C	D	E	ALUMINUM CATALOG #
1/2"	PRX17	1.7	5.63	3.31	1.79	0.94	3.19	PRX17SA
3/4"	PRX27	2.4	6.25	3.50	2.04	1.13	3.81	PRX27SA
1"	PRX37	2.7	7.25	4.00	2.29	1.38	4.50	PRX37SA
1-1/4"	PRX47	3.6	7.44	4.13	2.35	1.75	5.00	PRX47SA
1-1/2"	PRX57	5.0	8.19	4.63	2.60	1.94	5.44	PRX57SA
2"	PRX67	7.5	9.19	5.19	3.17	2.44	6.38	PRX67SA

### X Form 8

PIPE SIZE	FERROUS CATALOG #	NOMINAL WEIGHT	A	B	C	D	E
1/2"	PRHX18	2.0	5.69	2.91	1.79	1.00	3.31
3/4"	PRHX28	2.6	6.28	3.06	2.04	1.19	3.94
1"	PRHX38	3.1	7.31	3.50	2.29	1.38	4.56
1-1/4"	PRHX448	5.2	8.50	4.13	2.67	1.75	5.31
1-1/2"	PRHX58	7.5	10.38	5.25	2.51	2.13	6.50
2"	PRHX68	11.7	12.25	6.25	3.60	3.00	8.56

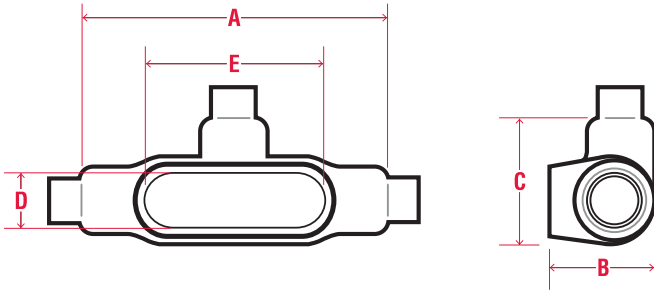
### X Mark 9

PIPE SIZE	NOMINAL WEIGHT	A	B	C	D	E	ALUMINUM CATALOG #
1/2"	2.0	5.69	2.91	1.79	1.00	3.31	PRX19
3/4"	2.6	6.28	3.06	2.04	1.19	3.94	PRX29
1"	3.1	7.31	3.50	2.29	1.38	4.56	PRX39



# Conduit Bodies and Covers

## CONDUIT BODIES AND COVERS FOR GENERAL SERVICE LOCATIONS



### T Form 7

PIPE SIZE	FERROUS CATALOG #	NOMINAL WEIGHT	A	B	C	D	E	ALUMINUM CATALOG #
1/2"	PRT17	1.5	5.63	1.79	2.48	0.94	3.19	PRT17SA
3/4"	PRT27	2.1	6.25	2.04	2.67	1.13	3.81	PRT27SA
1"	PRT37	2.9	7.25	2.29	3.04	1.38	4.50	PRT37SA
1-1/4"	PRT47	3.6	7.44	2.35	3.23	1.75	5.00	PRT47SA
1-1/2"	PRT57	4.5	8.19	2.60	3.60	1.94	5.44	PRT57SA
2"	PRT67	6.5	9.19	3.17	4.17	2.44	6.38	PRT67SA
2-1/2"	PRT77	10.7	12.00	3.67	5.79	3.56	8.38	PRT77SA
3"	PRT87	15.4	12.06	4.42	5.79	3.56	8.38	PRT87SA
3-1/2"	PRT97	19.0	14.31	4.92	6.98	4.50	10.25	PRT97SA
4"	PRT107	21.0	14.31	5.42	6.98	4.50	10.25	PRT107SA

### T Form 8

PIPE SIZE	FERROUS CATALOG #	NOMINAL WEIGHT	A	B	C	D	E
1/2"	PRHT18	1.8	5.69	1.79	2.20	1.00	3.31
3/4"	PRHT28	2.5	6.28	2.04	2.35	1.19	3.94
1"	PRHT38	3.3	7.31	2.29	2.67	1.38	4.56
1-1/4"	PRHT448	4.9	8.50	2.67	3.20	1.75	5.31
1-1/2"	PRHT58	7.5	10.38	2.82	4.04	2.13	6.50
2"	PRHT68	11.7	12.25	3.60	5.04	3.00	8.56
2-1/2"	PRT78	19.8	15.63	4.48	6.73	4.25	10.88
3"	PRT88	23.5	15.63	4.85	6.73	4.25	10.88

### T Mark 9

PIPE SIZE	NOMINAL WEIGHT	A	B	C	D	E	ALUMINUM CATALOG #
1/2"	1.8	5.00	1.42	2.17	1.19	3.31	PRT19
3/4"	2.5	5.69	1.92	2.42	1.38	3.31	PRT29
1"	3.3	6.59	1.92	2.67	1.50	4.56	PRT39
1-1/4"	4.9	7.50	2.54	3.13	1.94	5.31	PRT49
1-1/2"	7.5	8.25	2.79	3.48	2.25	6.00	PRT59
2"	11.7	10.50	3.48	4.17	2.88	8.06	PRT69
2-1/2"	19.8	15.63	4.48	6.73	4.25	10.88	PRT789
3"	23.5	15.63	4.85	6.73	4.25	10.88	PRT889
3-1/2"	21.0	18.75	5.73	8.17	5.44	13.44	PRT989
4"	24.0	18.75	5.98	8.17	5.44	13.44	PRT1089



### Replacement Screw Kits

CATALOG #	DESCRIPTION	QUANTITY
PBSCREW-KIT-1	1/2" and 3/4" Form 8 ENCAP Screws	2
PBSCREW-KIT-2	1" and 1-1/4" Form 8 ENCAP Screws	2
PBSCREW-KIT-3	1-1/2" Form 8 ENCAP Screws	2
PBSCREW-KIT-4	2" Form 8 ENCAP Screws	4
PBSCREW-KIT-5	2-1/2" and 3" Form 8 ENCAP Screws	4
PBSCREW-KIT-6	3-1/2" and 4" Form 8 ENCAP Screws	4
PBSCREW-KIT-7	1/2" OE ENCAP Screws	4
PBSCREW-KIT-8	3/4" OE ENCAP Screws	4
PBSCREW-KIT-9	1-1/4" LBD ENCAP Screws	4
PBSCREW-KIT-10	1-1/2" LBD ENCAP Screws	4
PBSCREW-KIT-11	2" LBD ENCAP Screws	4
PBSCREW-KIT-12	2-1/2" and 3" LBD ENCAP Screws	6
PBSCREW-KIT-13	2-1/2" and 3" Mark 9 ENCAP Screws	4
PBSCREW-KIT-14	3-1/2" and 4" Mark 9 ENCAP Screws	4

### Form 7 Covers

PART #	DESCRIPTION
PR170	1/2 FORM 7 COVER
PR170SA	1/2 AL FORM 7 COVER
PR270	3/4 FORM 7 COVER
PR270SA	3/4 FORM 7 AL COVER
PR370	1 FORM 7 COVER
PR370SA	1 AL FORM 7 COVER
PR470	1-1/4 FORM 7 COVER
PR470SA	1-1/4 AL FORM 7 COVER
PR570	1-1/2 FORM 7 COVER
PR570SA	1-1/2 AL FORM 7 COVER
PR670	2 FORM 7 COVER
PR670SA	2 AL FORM 7 COVER
PR870	2-1/2 - 3 FORM 7 COVER
PR870SA	2-1/2 - 3 FORM 7 AL COVER
PR970	3-1/2 - 4 FORM 7 COVER
PR970SA	3-1/2 - 4 FORM 7 COVER

### Form 8 Covers

PART #	DESCRIPTION
PR880F	2-1/2 - 3 FORM 8 COVER
PR980F	3-1/2 - 4 FORM 8 COVER
PRH180F	1/2 FORM 8 COVER
PRH280F	3/4 FORM 8 COVER
PRH380F	1 FORM 8 COVER
PRH480F	1-1/4 FORM 8 COVER
PRH580F	1-1/2 FORM 8 COVER
PRH680F	2 FORM 8 COVER

### Mark 9 Covers

PART #	DESCRIPTION
PR190	1/2 MARK 9 COVER
PR290	3/4 MARK 9 COVER
PR390	1 MARK 9 COVER
PR490	1-1/4 MARK 9 COVER
PR590	1-1/2 MARK 9 COVER
PR690	2 MARK 9 COVER
PR889	2-1/2 - 3 MARK 9 COVER
PR989	3-1/2 - 4 MARK 9 COVER

# Pulling Elbows

## Description

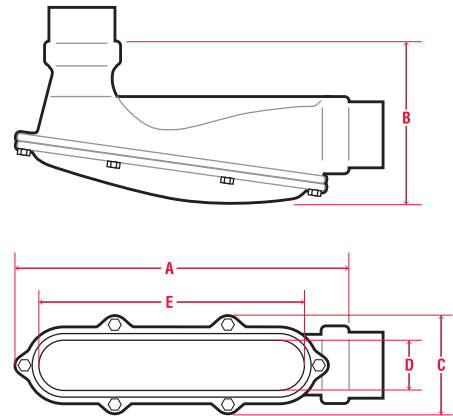
Plasti-Bond REDH<sub>2</sub>O<sub>T</sub> LBD conduit bodies are used at 90° bends in conduit runs to allow straight pulls at bends, to serve as pull outlets for stiff conductors, to allow for service entrance into buildings, or to allow conductor entrance into motors. Electrical continuity of the conduit system is maintained across assembled joints.

## Features

- 40 mil gray PVC exterior coating
- 2 mil red urethane interior coating
- 10 trade sizes from ½" through 4"
- Sealing sleeves on all female conduit openings
- Molded-in seal between body and cover
- Domed covers allow gentle bends of conductors
- Shipped with covers
- Angled covers allow straight pulling in either direction

## Standards

- Steel Fittings Only**
- UL 514B (E200413)



## Pulling Elbows LBD

PIPE SIZE	FERROUS CATALOG #	NOMINAL WEIGHT	A	B	C	D	E	ALUMINUM CATALOG #
1/2"	PRLBD1100	1.2	5.00	2.35	1.39	1.00	3.34	PRLBD1100SA
3/4"	PRLBD2200	2.0	6.25	2.67	1.64	1.25	4.53	PRLBD2200SA
1"	PRLBD3300	2.5	6.25	2.98	1.89	1.50	4.34	PRLBD3300SA
1-1/4"	PRLBD4400	6.0	8.63	4.29	3.58	1.81	7.19	PRLBD4400SA
1-1/2"	PRLBD5500	11.5	12.44	5.48	4.71	2.63	10.88	PRLBD5500SA
2"	PRLBD6600	18.0	12.44	5.48	4.71	2.63	10.88	PRLBD6600SA
2-1/2"	PRLBD7700	22.0	19.69	9.60	5.71	3.00	15.75	PRLBD7700SA
3"	PRLBD8800	35.0	19.69	9.60	5.71	3.00	15.75	PRLBD8800SA
3-1/2"	PRLBD9900	60.0	20.88	10.92	7.83	4.75	19.89	-
3-1/2"	-	60.0	27.81	11.92	7.21	4.00	24.00	PRLBD9900SA
4"	PRLBD10900	70.0	20.88	10.92	7.83	4.75	19.89	-
4"	-	70.0	27.81	11.92	7.21	4.00	24.00	PRLBD10900SA



# Conduit Bodies and Covers

## MOGUL STYLE CONDUIT BODIES



### Description

Plasti-Bond REDH<sub>2</sub>OT mogul style conduit bodies are offered in various configurations to provide a complete coated conduit system. Mogul BG Covers are sold separately. Mogul style fitting bodies have long openings and may be used to make bends in conduit runs, for pull outlets for stiff conductors, to provide additional room for taps or splices, etc. Electrical continuity of the conduit system is maintained across assembled joints.

### Standards

#### Steel and Aluminum

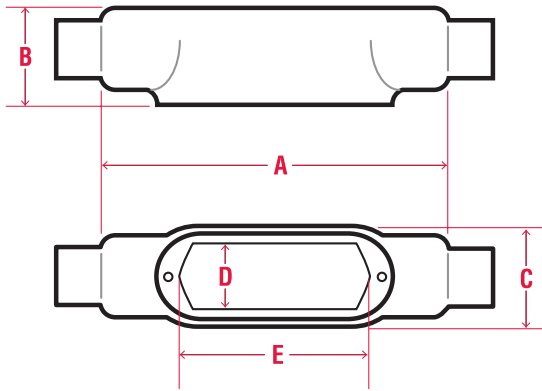
- UL 514A, 514B, 514D (E231035)
- CSA C22.2 No. 18, CSA C22.2 No. 42

### Features

- 40 mil gray PVC exterior coating
- 2 mil red urethane interior coating
- 8 trade sizes from 1" through 4"
- Sealing sleeves on all female conduit openings
- Molded-in seal between bodies and covers
- Large cover openings provide ample room

# Conduit Bodies and Covers

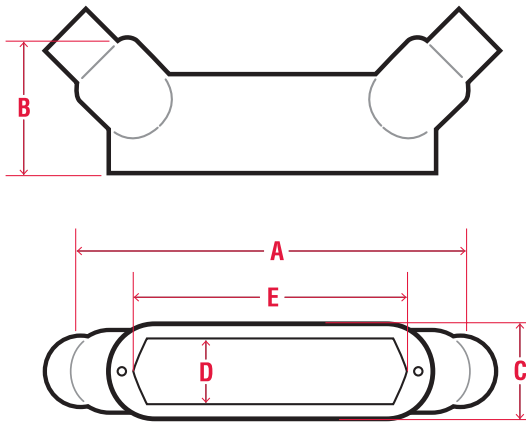
## MOGUL STYLE CONDUIT BODIES



### BC

PIPE SIZE	FERROUS CATALOG #	NOMINAL WEIGHT	A	B	C	D	E	ALUMINUM CATALOG #
1"	PRBC3	3.2	9.56	1.92	2.27	1.88	6	PRBC3SA
1-1/4"	PRBC4	4.2	9.56	2.35	2.27	1.88	6	PRBC4SA
1-1/2"	PRBC5	6.0	13.75	2.60	3.08	2.63	10	PRBC5SA
2"	PRBC6	7.0	13.75	3.17	3.08	2.63	10	PRBC6SA
2-1/2"	PRBC7	13.8	18.38	3.67	4.33	3.81	15	PRBC7SA
3"	PRBC8	17.5	18.38	4.42	4.33	3.81	15	PRBC8SA
3-1/2"	PRBC9	25.0	23.75	4.92	5.33	4.75	20	PRBC9SA
4"	PRBC10	28.0	23.75	5.42	5.33	4.75	20	PRBC10SA

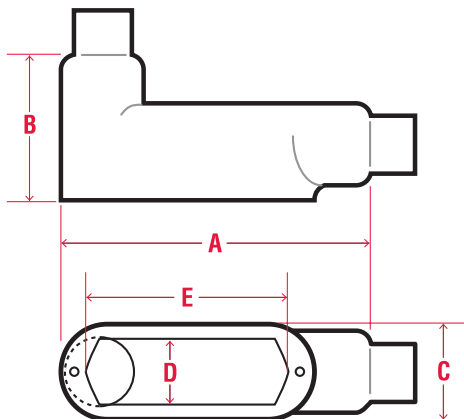
(Cover sold separately.)



### BUB

PIPE SIZE	FERROUS CATALOG #	NOMINAL WEIGHT	A	B	C	D	E	ALUMINUM CATALOG #
1"	PRBUB3	3.2	9.19	2.69	2.27	1.88	6	PRBUB3SA
1-1/4"	PRBUB4	4.0	9.31	3.19	2.27	1.88	6	PRBUB4SA
1-1/2"	PRBUB5	5.9	13.50	3.50	3.08	2.63	10	PRBUB5SA
2"	PRBUB6	7.8	13.50	4.13	3.08	2.63	10	PRBUB6SA
2-1/2"	PRBUB7	12.5	17.75	4.81	4.33	3.81	15	PRBUB7SA
3"	PRBUB8	17.0	17.88	5.63	4.33	3.81	15	PRBUB8SA
3-1/2"	PRBUB9	25.0	23.38	6.38	5.33	4.75	20	PRBUB9SA
4"	PRBUB10	28.0	23.25	6.81	5.33	4.75	20	PRBUB10SA

(Cover sold separately.)



### BLB

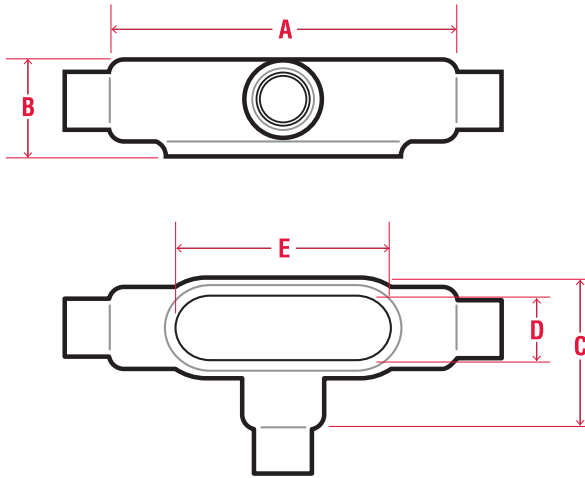
PIPE SIZE	FERROUS CATALOG #	NOMINAL WEIGHT	A	B	C	D	E	ALUMINUM CATALOG #
1"	PRBLB3	3.2	8.63	2.84	2.27	1.88	6	PRBLB3SA
1-1/4"	PRBLB4	4.2	8.63	3.28	2.27	1.88	6	PRBLB4SA
1-1/2"	PRBLB5	6.0	12.73	3.63	3.08	2.63	10	PRBLB5SA
2"	PRBLB6	7.0	12.73	4.19	3.08	2.63	10	PRBLB6SA
2-1/2"	PRBLB7	13.8	16.95	5.09	4.33	3.81	15	PRBLB7SA
3"	PRBLB8	17.5	16.95	5.84	4.33	3.81	15	PRBLB8SA
3-1/2"	PRBLB9	25.0	22.17	6.50	5.33	4.75	20	PRBLB9SA
4"	PRBLB10	28.0	22.17	7.00	5.33	4.75	20	PRBLB10SA

(Cover sold separately.)



# Conduit Bodies and Covers

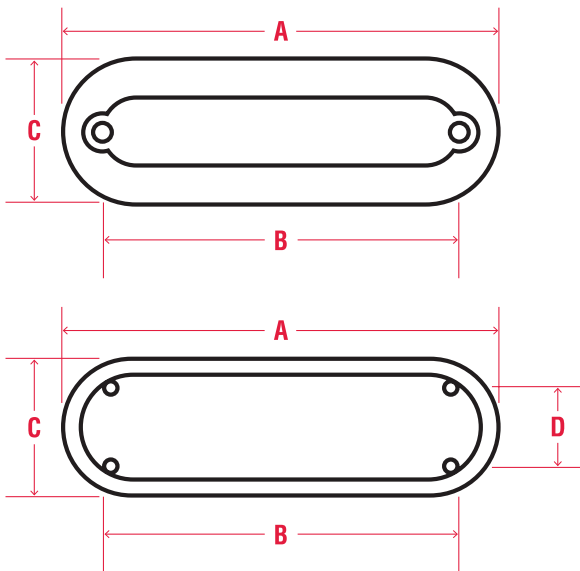
## MOGUL STYLE CONDUIT BODIES



### BT

PIPE SIZE	FERROUS CATALOG #	NOMINAL WEIGHT	A	B	C	D	E	ALUMINUM CATALOG #
1"	PRBT3	3.2	9.56	1.92	3.24	1.88	6	PRBT3SA
1-1/4"	PRBT4	3.6	9.56	2.35	3.24	1.88	6	PRBT4SA
1-1/2"	PRBT5	7.5	13.75	2.60	4.14	2.63	10	PRBT5SA
2"	PRBT6	9.0	13.75	3.17	4.14	2.63	10	PRBT6SA
2-1/2"	PRBT7	15.0	18.38	3.67	5.67	3.81	15	PRBT7SA
3"	PRBT8	19.0	18.38	4.42	5.80	3.81	15	PRBT8SA
3-1/2"	PRBT9	29.0	23.75	4.92	6.96	4.75	20	PRBT9SA
4"	PRBT10	32.0	23.75	5.42	6.96	4.75	20	PRBT10SA

(Cover sold separately.)

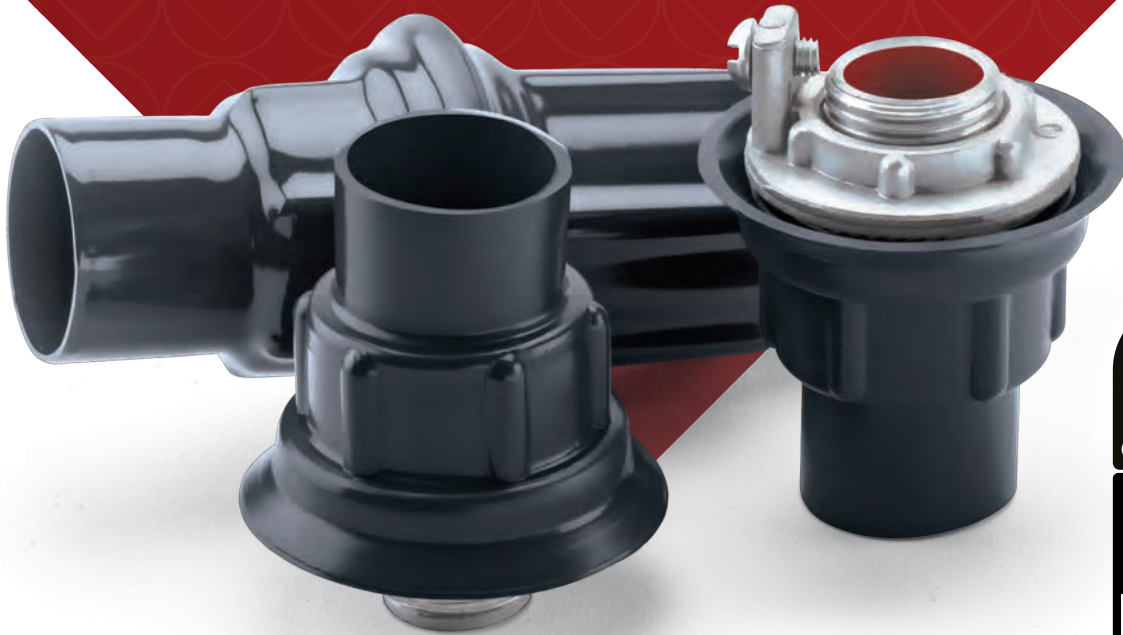


### Mogul Style BG Covers

FERROUS CATALOG #	DESCRIPTION	NOMINAL WEIGHT	ALUMINUM CATALOG #
PRBG48	1 - 1-1/4 BG COVER MOGUL	2.5	PRBG48SA
PRBG68	1-1/2 - 2 BG COVER MOGUL	3.2	PRBG68SA
PRBG88	2-1/2 - 3 BG COVER MOGUL	6.4	PRBG88SA
PRBG98	3-1/2 - 4 BG COVER MOGUL	9.8	PRBG98SA

(Body sold separately.)

# Knockout Hubs



## Description

Plasti-Bond REDH<sub>2</sub>OT ST style knockout hubs are used to terminate conduit runs through the wall of an electrical enclosure. They are available with or without grounding lug. STTB style hubs are “through-bulkhead” fittings used to pass conduit runs through firewalls or bulkheads up to 1/8” thick. STTTB style hubs perform the same function for unlimited wall thicknesses, (furnished without nipples).

## Features

- 40 mil gray PVC exterior coating
- ST available in 12 trade sizes from 1/2” through 6”
- STTB available in 10 trade sizes from 1/2” through 4”
- STTTB available in 6 trade sizes from 1/2” through 2”
- Sealing sleeves on conduit side of hub
- Molded PVC gasket seals flush with enclosure wall
- O-ring gasket provides additional seal

## Standards

### Steel Only: ST, STG

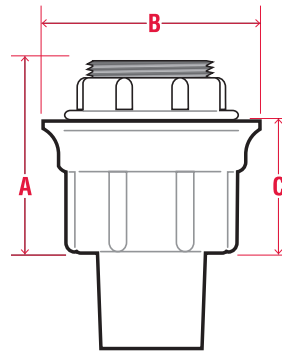
- UL 514B (E200413)
- NEC/CEC:
  - Class I, Division 2
  - Class II, Division 1 & 2
  - Class III, Division 1 & 2

**NOTE:** All screw-tight hubs are listed for NEMA and UL type enclosures 2, 3, 3R, 4, 4X, 11, and 12. Grounding and bonding hubs are listed for NEMA Enclosures 2, 3, 3R, 4, 4X, and 12.

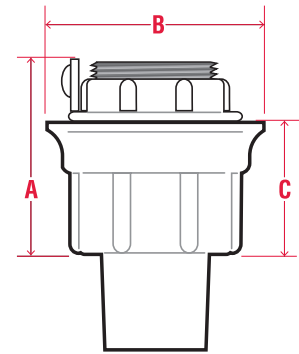
# Knockout Hubs

## ST

PIPE SIZE	CATALOG #	NOMINAL WEIGHT	A	B	C	MAX WALL THICK	ALUMINUM CATALOG #
1/2"	PRST1	0.2	1.34	2.00	0.81	0.19	PRSTA1
3/4"	PRST2	0.3	1.47	2.25	0.91	0.19	PRSTA2
1"	PRST3	0.4	1.66	2.50	1.03	0.25	PRSTA3
1-1/4"	PRST4	0.4	1.69	3.25	1.03	0.25	PRSTA4
1-1/2"	PRST5	0.6	1.69	3.50	1.03	0.25	PRSTA5
2"	PRST6	1.2	1.75	4.25	1.09	0.25	PRSTA6
2-1/2"	PRST7	1.5	2.22	4.75	1.28	0.25	PRSTA7
3"	PRST8	2.1	2.31	5.25	1.38	0.25	PRSTA8
3-1/2"	PRST9	3.0	2.38	5.50	1.44	0.25	PRSTA9
4"	PRST10	3.5	2.44	6.25	1.50	0.25	PRSTA10
5"	PRST11	5.4	2.94	7.50	2.00	0.25	PRSTA11
6"	PRST12	6.9	3.00	8.50	2.00	0.31	PRSTA12



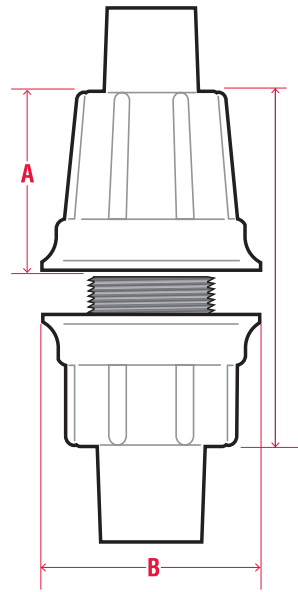
ST



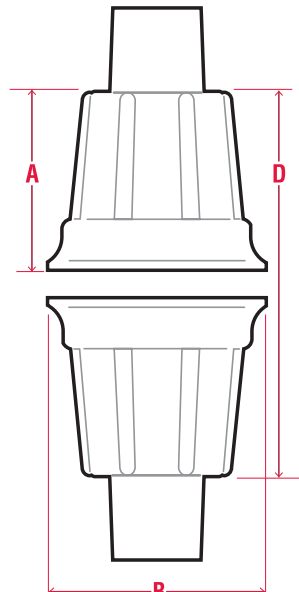
STG

## STG

PIPE SIZE	CATALOG #	NOMINAL WEIGHT	A	B	C	MAX WALL THICK	ALUMINUM CATALOG #
1/2"	PRSTG1	0.2	1.34	2.00	0.81	0.19	PRSTAG1
3/4"	PRSTG2	0.3	1.47	2.25	0.91	0.19	PRSTAG2
1"	PRSTG3	0.4	1.66	2.50	1.03	0.25	PRSTAG3
1-1/4"	PRSTG4	0.4	1.69	3.25	1.03	0.25	PRSTAG4
1-1/2"	PRSTG5	0.6	1.69	3.50	1.03	0.25	PRSTAG5
2"	PRSTG6	1.2	1.75	4.25	1.09	0.25	PRSTAG6
2-1/2"	PRSTG7	1.5	2.22	4.75	1.28	0.25	PRSTAG7
3"	PRSTG8	2.1	2.31	5.25	1.38	0.25	PRSTAG8
3-1/2"	PRSTG9	3.0	2.38	5.50	1.44	0.25	PRSTAG9
4"	PRSTG10	3.5	2.44	6.25	1.50	0.25	PRSTAG10
5"	PRSTG11	5.4	2.94	7.50	2.00	0.25	PRSTAG11
6"	PRSTG12	6.9	3.00	8.50	2.00	0.31	PRSTAG12



STTB



STTTB

## STTB

PIPE SIZE	CATALOG #	NOMINAL WEIGHT	A	B	MAX WALL THICK	ALUMINUM CATALOG #
1/2"	PRSTTB1	0.5	1.34	2.00	0.19	PRSTTB1
3/4"	PRSTTB2	0.5	1.47	2.25	0.19	PRSTTB2
1"	PRSTTB3	0.7	1.66	2.50	0.25	PRSTTB3
1-1/4"	PRSTTB4	1.0	1.69	3.25	0.25	PRSTTB4
1-1/2"	PRSTTB5	1.2	1.69	3.5	0.25	PRSTTB5
2"	PRSTTB6	1.7	1.75	4.25	0.25	PRSTTB6
2-1/2"	PRSTTB7	2.5	2.22	4.75	0.25	PRSTTB7
3"	PRSTTB8	3.0	2.31	5.25	0.25	PRSTTB8
3-1/2"	PRSTTB9	4.2	2.38	5.50	0.25	-
4"	PRSTTB10	5.9	2.44	6.25	0.25	-

## STTTB

PIPE SIZE	CATALOG #	NOMINAL WEIGHT	A	B	MAX WALL THICK	ALUMINUM CATALOG #
1/2"	PRSTTB1	1.0	1.34	2.00	*	PRSTTB1
3/4"	PRSTTB2	1.0	1.47	2.25	*	PRSTTB2
1"	PRSTTB3	1.4	1.66	2.50	*	PRSTTB3
1-1/4"	PRSTTB4	2.0	1.69	3.25	*	PRSTTB4
1-1/2"	PRSTTB5	2.4	1.69	3.50	*	PRSTTB5
2"	PRSTTB6	3.4	1.75	4.25	*	PRSTTB6

\* Unlimited wall thickness – determined by nipple used.

# Liquid Tight Connectors



## Description

Plasti-Bond REDH<sub>2</sub>O liquid tight connectors are used to wire motors, transformers, processing equipment, pumps, etc. The flexible conduit and the PVC-coated connector work together to seal out water and other corrosive liquids, protecting the conductors from damage.

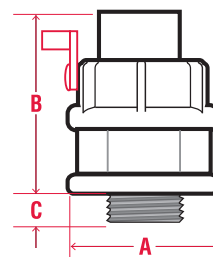
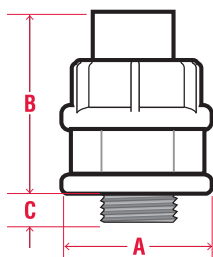
## Features

- 40 mil gray PVC exterior coating
- 2 mil red urethane interior coating
- 10 trade sizes from 3/8" through 4"
- Sealing sleeves on all female conduit openings
- Available in straight, 45°, or 90° body configurations
- Available with an external grounding lug

## Standards

### Steel Fittings Only

- UL 514B (E200413), UL 467 (E217890)



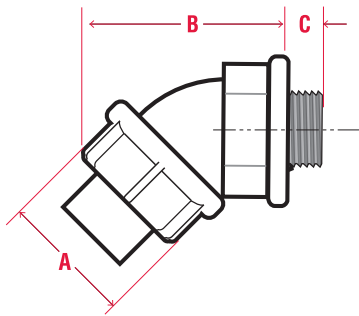
### Straight Connector

PIPE SIZE	FERROUS CATALOG #	A	B	C	NOMINAL WEIGHT	ALUMINUM CATALOG #
3/8"	PR5331	1.24	1.50	0.56	0.2	PR5231AL
1/2"	PR5332	1.46	1.56	0.56	0.2	PR5232AL
3/4"	PR5333	1.74	1.63	0.56	0.3	PR5233AL
1"	PR5334	1.96	2.06	0.75	0.4	PR5234AL
1-1/4"	PR5335	2.36	2.50	0.81	0.8	PR5235AL
1-1/2"	PR5336	2.80	2.69	0.81	0.9	PR5236AL
2"	PR5337	3.33	3.06	0.88	1.7	PR5237AL
2-1/2"	PR5338	3.83	4.13	1.00	3.0	PR5238AL
3"	PR5339	4.58	4.25	1.00	4.2	PR5239AL
4"	PR5340	5.58	4.50	1.13	6.2	PR5240AL

### Straight Connector With Ground

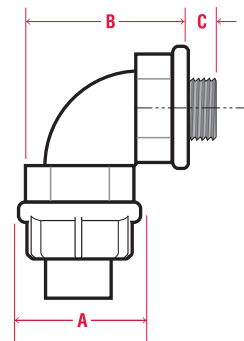
PIPE SIZE	FERROUS CATALOG #	A	B	C	NOMINAL WEIGHT	ALUMINUM CATALOG #
3/8"	PR5331GR	1.24	1.50	0.56	0.2	PR5231GRAL
1/2"	PR5332GR	1.46	1.56	0.56	0.2	PR5232GRAL
3/4"	PR5333GR	1.74	1.63	0.56	0.3	PR5233GRAL
1"	PR5334GR	1.96	2.06	0.75	0.4	PR5234GRAL
1-1/4"	PR5335GR	2.33	2.50	0.81	0.8	PR5235GRAL
1-1/2"	PR5336GR	3.33	2.69	0.81	0.9	PR5236GRAL
2"	PR5337GR	3.89	3.06	0.88	1.7	PR5237GRAL
2-1/2"	PR5338GR	4.52	4.13	1.00	3.0	PR5238GRAL
3"	PR5339GR	5.27	4.25	1.00	4.2	PR5239GRAL
4"	PR5340GR	6.21	4.50	1.13	6.2	PR5240GRAL

# Liquid Tight Connectors



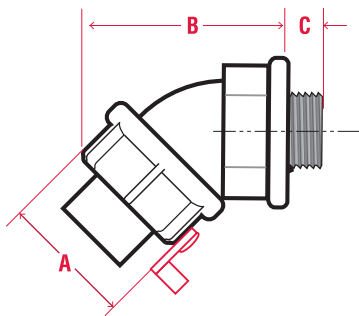
## 45° Connector

PIPE SIZE	FERROUS CATALOG #	A	B	C	NOMINAL WEIGHT
3/8"	PR5341	1.24	1.56	0.56	0.3
1/2"	PR5342	1.46	1.88	0.56	0.3
3/4"	PR5343	1.74	2.13	0.56	0.4
1"	PR5344	1.96	2.25	0.75	0.5
1-1/4"	PR5345	2.36	2.75	0.81	1.5
1-1/2"	PR5346	2.8	3.38	0.81	1.2
2"	PR5347	3.33	3.88	0.88	2.0
2-1/2"	PR5348	3.83	4.25	1.00	3.0
3"	PR5349	4.58	4.25	1.00	4.2
4"	PR5350	5.58	4.63	1.13	6.2



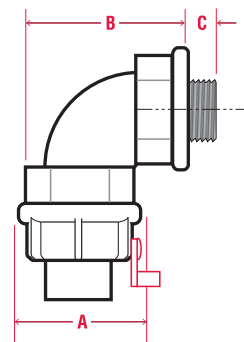
## 90° Connector

PIPE SIZE	FERROUS CATALOG #	A	B	C	NOMINAL WEIGHT	ALUMINUM CATALOG #
3/8"	PR5351	1.24	1.38	0.56	0.3	PR5251AL
1/2"	PR5352	1.46	1.56	0.56	0.3	PR5252AL
3/4"	PR5353	1.74	1.75	0.56	0.4	PR5253AL
1"	PR5354	1.96	2.19	0.75	0.6	PR5254AL
1-1/4"	PR5355	2.36	2.75	0.81	1.0	PR5255AL
1-1/2"	PR5356	2.80	2.94	0.81	1.7	PR5256AL
2"	PR5357	3.33	3.44	0.88	2.7	PR5257AL
2-1/2"	PR5358	3.83	8.88	1.00	3.8	-
3"	PR5359	4.58	10.25	1.00	4.2	-
4"	PR5360	5.58	12.63	1.13	6.2	-



## 45° Connector With Ground

PIPE SIZE	FERROUS CATALOG #	A	B	C	NOMINAL WEIGHT
3/8"	PR5341GR	1.24	1.56	0.56	0.3
1/2"	PR5342GR	1.46	1.88	0.56	0.3
3/4"	PR5343GR	1.74	2.13	0.56	0.4
1"	PR5344GR	1.96	2.25	0.75	0.5
1-1/4"	PR5345GR	2.33	2.75	0.81	1.5
1-1/2"	PR5346GR	3.33	3.38	0.81	1.2
2"	PR5347GR	3.89	3.88	0.88	2.0
2-1/2"	PR5348GR	4.52	4.25	1.00	3.0
3"	PR5349GR	5.27	4.25	1.00	4.2
4"	PR5350GR	6.21	4.63	1.13	6.2



## 90° Connector With Ground

PIPE SIZE	FERROUS CATALOG #	A	B	C	NOMINAL WEIGHT	ALUMINUM CATALOG #
3/8"	PR5351GR	1.24	1.25	0.56	0.3	PR5251GRAL
1/2"	PR5352GR	1.46	1.44	0.56	0.3	PR5252GRAL
3/4"	PR5353GR	1.74	1.81	0.56	0.4	PR5253GRAL
1"	PR5354GR	1.96	2.06	0.75	0.6	PR5254GRAL
1-1/4"	PR5355GR	2.33	2.50	0.81	1.0	PR5255GRAL
1-1/2"	PR5356GR	3.33	2.94	0.81	1.7	PR5256GRAL
2"	PR5357GR	3.89	3.44	0.88	2.7	PR5257GRAL
2-1/2"	PR5358GR	4.52	8.88	1.00	3.8	-
3"	PR5359GR	5.27	10.25	1.00	4.2	-
4"	PR5360GR	6.21	12.63	1.13	6.2	-



# TECK Series Cable Fittings



## Description

Plasti-Bond REDH<sub>2</sub>OT TECK Series cable fittings are designed for use with jacketed TECK cable with aluminum or steel armor. TECK series cable fittings are installed to provide a means for passing TECK type cable into an enclosure, panel board, or other equipment, to form a mechanical watertight and dust tight termination, and to provide ground continuity between the cable armour and metal enclosures.

## Features

- 40 mil gray PVC exterior coating with cable sleeve and sealing gland
- Standard material is aluminum
- Stainless steel copper-plated spring provides grounding continuity of cable armour (TECK cable only)
- Watertight seal on outer sheath of cable
- Standard neoprene seal suitable for use in operating temperatures -25° to 60°C
- An integral o-ring seal on entry threads
- Available with NPT threads

### Gland Type

- Armoured

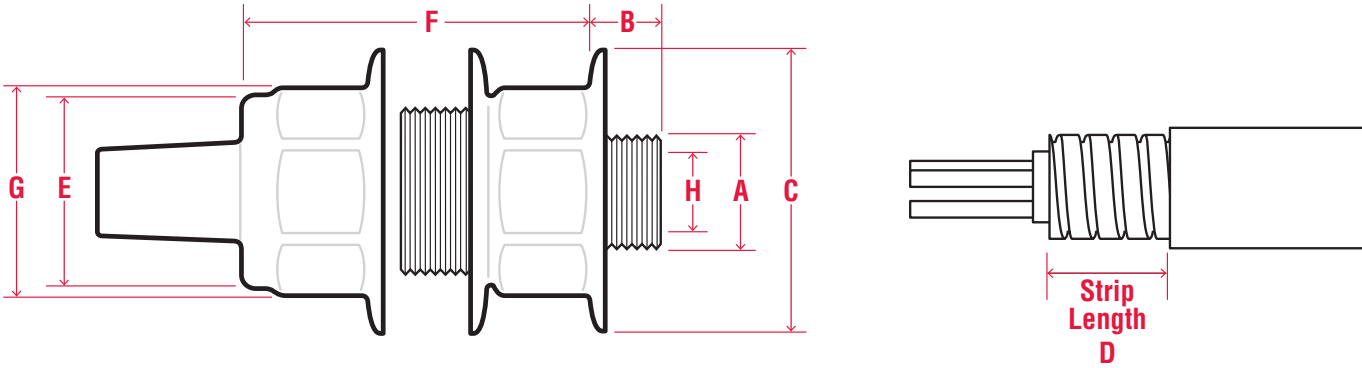
### Cable Type

- TECK Armoured

## Standards

- Class II, Div. 1 & 2, Groups E, F, G; Class III
- Type 4 and IP56
- Wet locations

# TECK Series Cable Fittings



PVC COATED ALUMINUM CATALOG #	ENTRY THREAD SIZE A NPT SIZE	THREAD LENGTH B NPT	CABLE ACCEPTANCE				GLAND LENGTH F (LESS ENTRY)	HEXAGON DIMENSIONS			
			ARMOR RANGE H		OUTER SHEATH E			ACROSS FLATS	ACROSS CORNERS G	SEALING GLAND C	STRIP LENGTH D
			MIN	MAX	MIN	MAX					
PBTECK-050-1	1/2"	0.630	0.415	0.570	0.525	0.650	2.300	1.250	1.350	1.925	1-1/4"
PBTECK-050-2	1/2"	0.630	0.490	0.680	0.600	0.760	2.300	1.375	1.500	1.925	1-1/4"
PBTECK-050-3	1/2"	0.630	0.615	0.805	0.725	0.885	2.300	1.500	1.600	1.925	1-1/4"
PBTECK-050-4	1/2"	0.630	0.715	0.905	0.825	0.985	2.300	1.500	1.600	1.925	1-1/4"
PBTECK-075-5	3/4"	0.630	0.770	0.985	0.880	1.065	2.500	2.000	2.125	2.000	1-1/4"
PBTECK-075-6	3/4"	0.630	0.915	1.125	1.025	1.205	2.500	2.000	2.125	2.000	1-1/4"
PBTECK-100-7	1"	0.750	1.077	1.295	1.187	1.375	2.625	2.250	2.400	2.370	1-1/4"
PBTECK-125-8	1-1/4"	0.800	1.240	1.545	1.350	1.625	3.500	3.000	3.125	2.370	1-3/4"
PBTECK-125-9	1-1/4"	0.800	1.390	1.545	1.500	1.625	3.400	3.000	3.125	2.370	1-3/4"
PBTECK-125-10	1-1/4"	0.800	1.490	1.795	1.600	1.875	3.500	3.000	3.125	2.870	1-3/4"
PBTECK-150-11	1-1/2"	0.800	1.590	1.885	1.700	1.965	3.800	3.750	3.600	3.250	1-3/4"
PBTECK-150-12	1-1/2"	0.800	1.790	2.107	1.900	2.187	3.900	3.500	3.750	3.250	1-3/4"
PBTECK-200-13	2"	0.825	1.790	2.107	1.900	2.187	4.000	3.750	4.000	3.750	1-3/4"
PBTECK-200-14	2"	0.825	1.990	2.280	2.100	2.375	4.000	3.750	4.000	3.750	1-3/4"
PBTECK-200-15	2"	0.875	2.190	2.485	2.300	2.565	4.000	4.125	4.400	3.750	1-3/4"
PBTECK-200-16	2"	0.875	2.390	2.656	2.500	2.750	4.000	4.125	4.400	3.750	1-3/4"
PBTECK-250-17	2-1/2"	1.300	2.240	2.560	2.380	2.640	5.000	4.500	4.750	4.500	2-1/2"
PBTECK-250-18	2-1/2"	1.300	2.440	2.750	2.580	2.840	5.000	4.500	4.750	4.500	2-1/2"
PBTECK-300-19	3"	1.400	2.640	2.970	2.790	3.060	5.000	4.600	4.900	5.000	2-1/2"
PBTECK-300-20	3"	1.400	2.870	3.190	3.000	3.270	5.000	4.900	5.250	5.000	2-1/2"
PBTECK-300-21	3"	1.400	3.042	3.390	3.210	3.480	5.000	5.000	5.250	5.000	2-1/2"
PBTECK-350-22	3-1/2"	1.400	3.270	3.590	3.420	3.690	5.000	5.600	5.900	5.500	2-1/2"
PBTECK-350-23	3-1/2"	1.400	3.440	3.770	3.610	3.870	5.000	5.500	5.900	5.500	2-1/2"
PBTECK-400-24	4"	1.400	3.600	3.930	3.810	4.030	5.000	6.125	6.500	6.100	2-1/2"
PBTECK-400-25	4"	1.400	3.755	4.065	3.965	4.185	5.000	6.125	6.500	6.100	2-1/2"
PBTECK-400-26	4"	1.400	3.910	4.220	4.120	4.340	5.000	6.125	6.500	6.100	2-1/2"

# Grounding Bushings and Split Couplings

## GROUNDING BUSHINGS



### Description

Plasti-Bond REDH<sub>2</sub>OT grounding bushings are used on threaded PVC-coated rigid conduit to provide a means of grounding conduit through an insulated bushing.

PIPE SIZE	FERROUS CATALOG #	NOMINAL WEIGHT
1/2"	PBGLL1	0.1
3/4"	PBGLL2	0.1
1"	PBGLL3	0.1
1-1/4"	PBGLL4	0.2
1-1/2"	PBGLL5	0.2
2"	PBGLL6	0.3
2-1/2"	PBGLL7	0.5
3"	PBGLL8	0.7
3-1/2"	PBGLL9	1.0
4"	PBGLL10	1.1

### Features

- 40 mil gray PVC exterior coating
- 2 mil red urethane interior coating
- 10 trade sizes from 1/2" through 4"
- Aluminum lug for copper or aluminum grounding conductor
- Screws are zinc-plated steel

## SPLIT COUPLINGS



### Description

Plasti-Bond REDH<sub>2</sub>OT split couplings are used to connect two pieces of conduit where the conduit can't be turned because of limited clearance between runs or a wall, or other obstruction.

PIPE SIZE	FERROUS CATALOG #	NOMINAL WEIGHT
1/2"	PRSSP50	0.2
3/4"	PRSSP75	0.3
1"	PRSSP100	0.4
1-1/4"	PRSSP125	0.6
1-1/2"	PRSSP150	0.7
2"	PRSSP200	1.0
2-1/2"	PRSSP250	2.3
3"	PRSSP300	3.0
3-1/2"	PRSSP350	3.8
4"	PRSSP400	4.1
5"	PRSSP500	6.0
6"	PRSSP600	8.6

### Features

- 40 mil gray PVC exterior coating
- 2 mil red urethane interior coating
- 12 trade sizes from 1/2" through 6"
- Sealing sleeves on all female conduit openings

# Reducing Bushings/Couplings and Plugs

## RE = Reducing Bushings

RE style reducers reduce conduit hubs to a smaller size. They are provided with an integral bushing to prevent conductor damage and full, clean cut threads for ease of assembly. **All RE reducers are coated inside and out with red polyurethane for corrosion protection.**

## REC = Reducing Couplings

Plasti-Bond REDH<sub>2</sub>O<sub>T</sub> reducing couplings are used to connect two pieces of conduit of different sizes.

### Reducing Bushings

PIPE SIZE	FERROUS CATALOG #	NOMINAL WEIGHT	ALUMINUM CATALOG #
3/4" - 1/2"	*PRRE21	0.2	PRRE21SA
1" - 1/2"	*PRRE31	0.7	PRRE31SA
1" - 3/4"	*PRRE32	0.5	PRRE32SA
1-1/4" - 1/2"	*PRRE41	0.8	PRRE41SA
1-1/4" - 3/4"	*PRRE42	0.8	PRRE42SA
1-1/4" - 1"	*PRRE43	0.8	PRRE43SA
1-1/2" - 1/2"	*PRRE51	0.9	PRRE51SA
1-1/2" - 3/4"	*PRRE52	0.9	PRRE52SA
1-1/2" - 1"	*PRRE53	0.9	PRRE53SA
1-1/2" - 1-1/4"	*PRRE54	0.9	PRRE54SA
2" - 1/2"	*PRRE61	1.1	PRRE61SA
2" - 3/4"	*PRRE62	1.1	PRRE62SA
2" - 1"	*PRRE63	1.2	PRRE63SA
2" - 1-1/4"	*PRRE64	1.3	PRRE64SA
2" - 1-1/2"	*PRRE65	1.6	PRRE65SA
2-1/2" - 1"	*PRRE73	1.6	PRRE73SA
2-1/2" - 1-1/4"	*PRRE74	1.6	PRRE74SA
2-1/2" - 1-1/2"	*PRRE75	1.6	PRRE75SA
2-1/2" - 2"	*PRRE76	1.7	PRRE76SA
3" - 1"	*PRRE83	1.7	PRRE83SA
3" - 1-1/4"	*PRRE84	2.3	PRRE84SA
3" - 1-1/2"	*PRRE85	2.4	PRRE85SA
3" - 2"	*PRRE86	2.5	PRRE86SA
3" - 2-1/2"	*PRRE87	4.0	PRRE87SA
3-1/2" - 2"	*PRRE96	4.6	PRRE96SA
3-1/2" - 2-1/2"	*PRRE97	4.7	PRRE97SA
3-1/2" - 3"	*PRRE98	4.8	PRRE98SA
4" - 2"	*PRRE106	5.0	PRRE106SA
4" - 2-1/2"	*PRRE107	5.2	PRRE107SA
4" - 3"	*PRRE108	6.0	PRRE108SA
4" - 3-1/2"	*PRRE109	6.1	PRRE109SA
5" - 4"	PRRE01210	7.4	PRRE01210SA
6" - 5"	PRRE01412	8.0	PRRE01412SA

## PLG = Plugs

PLG style plugs are used to close unused conduit hubs. They are available with either recessed square drive sockets or raised square drive heads. **All PLG plugs are completely coated with polyurethane for corrosion protection.**

## Standards

- NEC/CEC:
  - Class I, Division 1 & 2, Groups A, B, C, D
  - Class II, Division 1, Groups E, F, G
  - Class II, Division 2, Groups F, G
  - Class III
- \*Class I, Division 2 Group A & B
- +Class I, Division 1 & 2, Group B

**NOTE: REs and PLGs meet the above standards only when used in conjunction with hazardous location fittings.**

### Reducing Couplings

PIPE SIZE	FERROUS CATALOG #	NOMINAL WEIGHT	ALUMINUM CATALOG #
3/4" - 1/2"	*PRREC21	0.2	PRREC21SA
1" - 1/2"	*PRREC31	0.7	PRREC31SA
1" - 3/4"	PRREC32	0.5	PRREC32SA
1-1/4" - 3/4"	PRREC42	1.0	PRREC42SA
1-1/4" - 1"	PRREC43	0.8	PRREC43SA
1-1/2" - 3/4"	PRREC52	1.4	PRREC52SA
1-1/2" - 1"	PRREC53	1.2	PRREC53SA
1-1/2" - 1-1/4"	PRREC54	1.3	PRREC54SA
2" - 3/4"	PRREC602	1.5	PRREC602SA
2" - 1"	PRREC603	2.3	PRREC603SA
2" - 1-1/4"	PRREC604	2.6	PRREC604SA
2" - 1-1/2"	PRREC605	2.8	PRREC605SA
2-1/2" - 1-1/2"	PRREC75	3.2	-
3" - 2"	PRREC86	3.7	PRREC86SA
3-1/2" - 2-1/2"	PRREC97	4.6	-
4" - 3"	PRREC108	5.9	-
5" - 4"	PRREC01210	7.4	-

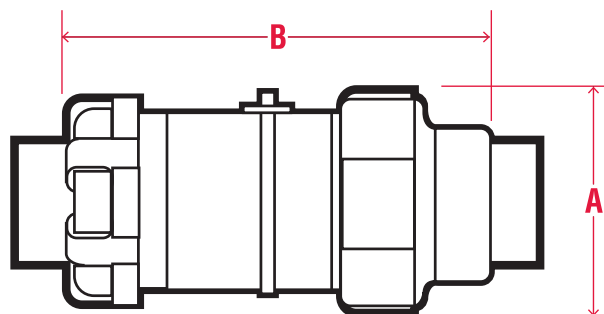
### Square Head Plugs

PIPE SIZE	FERROUS CATALOG #	NOMINAL WEIGHT
1/2"	*PRPLG15	0.5
3/4"	*PRPLG25	0.6
1"	*PRPLG35	0.2
1-1/4"	† PRPLG45	0.3
1-1/2"	† PRPLG55	0.3
2"	† PRPLG65	0.4
2-1/2"	PRPLG75	0.4
3"	PRPLG85	0.5
3-1/2"	PRPLG95	0.5
4"	PRPLG105	0.6

### Recessed Plugs

PIPE SIZE	FERROUS CATALOG #	NOMINAL WEIGHT
1/2"	*PRPLG1	0.2
3/4"	*PRPLG2	0.2
1"	*PRPLG3	0.3
1-1/4"	† PRPLG4	0.3
1-1/2"	† PRPLG5	0.3
2"	† PRPLG6	0.3
2-1/2"	† PRPLG7	0.3
3"	† PRPLG8	0.4
3-1/2"	† PRPLG9	0.4
4"	† PRPLG10	0.5

# Conduit Expansion Joints



## Description

Plasti-Bond REDH<sub>2</sub>OT XJG type expansion joints are used to connect two lengths of conduit subject to longitudinal movement, including movement in long runs by thermal expansion and contraction.

## Features

- 40 mil gray PVC exterior coating
- 2 mil red urethane interior coating
- 10 trade sizes from ½” through 4”
- Sealing sleeves on all female conduit openings
- Available with either 4” or 8” maximum movement
- Internally grounded

## Standards

- NEC Article 250-77
- NEC Article 300-7 (b)
- NEMA FB1

### 4” Travel XJG Series

PIPE SIZE	FERROUS CATALOG #	A	B	NOMINAL WEIGHT	ALUMINUM CATALOG #
1/2"	PRXJG14	1.83	6.75	1.5	PRXJG14SA
3/4"	PRXJG24	2.20	6.75	2.9	PRXJG24SA
1"	PRXJG34	2.51	7.25	3.6	PRXJG34SA
1-1/4"	PRXJG44	3.27	7.56	3.8	PRXJG44SA
1-1/2"	PRXJG54	3.76	7.87	6.2	PRXJG54SA
2"	PRXJG64	4.83	8.25	7.3	PRXJG64SA
2-1/2"	PRXJG74	4.95	9.31	9.8	-
3"	PRXJG84	5.45	10.00	13.6	PRXJG84SA
3-1/2"	PRXJG94	6.70	9.81	16.1	PRXJG94SA
4"	PRXJG104	6.70	9.81	22.5	PRXJG104SA

### 8” Travel XJG Series

PIPE SIZE	FERROUS CATALOG #	A	B	NOMINAL WEIGHT	ALUMINUM CATALOG #
1/2"	PRXJG18	1.83	10.75	1.9	PRXJG18SA
3/4"	PRXJG28	2.20	10.75	3.0	PRXJG28SA
1"	PRXJG38	2.51	11.25	3.3	PRXJG38SA
1-1/4"	PRXJG48	3.27	11.56	4.7	PRXJG48SA
1-1/2"	PRXJG58	3.76	11.87	7.3	PRXJG58SA
2"	PRXJG68	4.83	12.25	10.7	PRXJG68SA
2-1/2"	PRXJG78	4.95	13.31	14.4	PRXJG78SA
3"	PRXJG88	5.45	14.00	15.9	PRXJG88SA
3-1/2"	PRXJG98	6.70	13.81	23.8	PRXJG98SA
4"	PRXJG108	6.70	13.81	25.7	PRXJG108SA



# Service Entrance Elbows

## Description

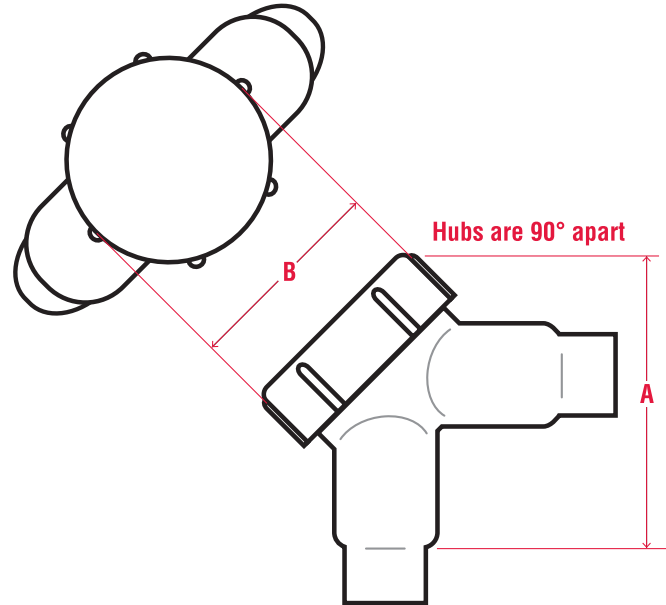
Plasti-Bond REDH<sub>2</sub>O<sup>T</sup> LBY type elbows are used as service entrance elbows between service entrance and vertical weatherhead conduit runs, to change direction of a conduit run 90° when space is limited, and for pull outlets. They may be used for general service or hazardous locations.

## Features

- 40 mil gray PVC exterior coating
- 2 mil red urethane interior coating
- 5 trade sizes from ½" through 1-½"
- Sealing sleeves on all female conduit openings
- Molded PVC gasket seals fitting cover to body

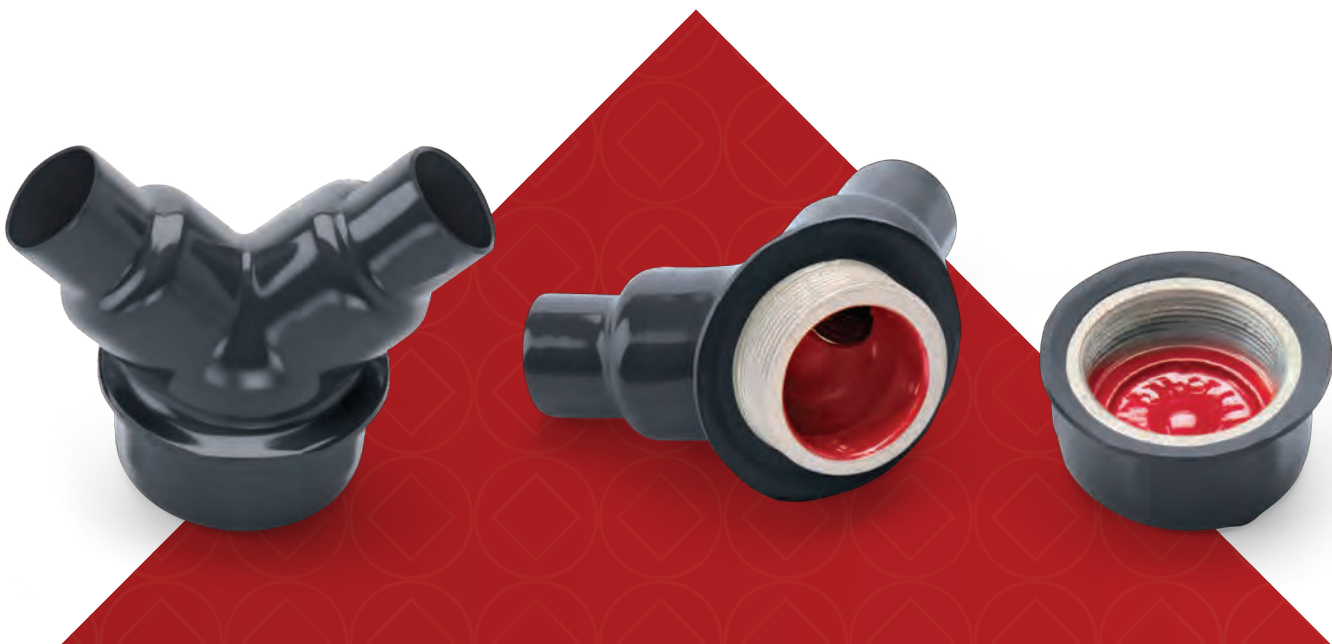
## Standards

- NEC/CEC
  - Class I, Division 1 & 2, Groups C, D
  - Class II, Division 1, Groups E, F, G
  - Class II, Division 2, Groups F, G
  - Class III



## LBY Series For Hazardous Locations

PIPE SIZE	FERROUS CATALOG #	A	B	NOMINAL WEIGHT	ALUMINUM CATALOG #
1/2"	PRLBY15	2.81	2.08	1.0	PRLBY15SA
3/4"	PRLBY25	3.19	2.33	1.2	PRLBY25SA
1"	PRLBY35	3.25	2.58	1.7	PRLBY35SA
1-1/4"	PRLBY45	3.78	3.02	2.5	PRLBY45SA
1-1/2"	PRLBY55	4.50	3.46	2.7	PRLBY55SA



# Malleable Elbows

## Description

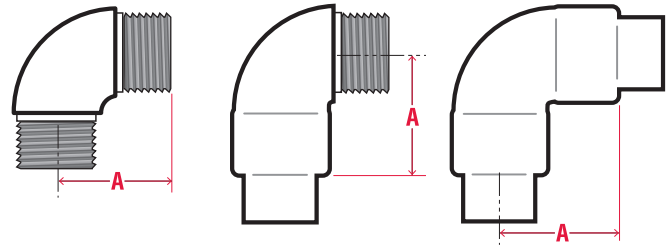
Plasti-Bond REDH<sub>2</sub>OT EL style malleable elbows are used in a conduit run to change direction 90° or to terminate at a fitting or box. They are available with male threads only, female threads only, or male and female threads.

## Features

- 40 mil gray PVC exterior coating
- 2 mil red urethane interior coating
- Various configurations in 10 trade sizes from ½" through 2-½"
- Sealing sleeves on all female conduit openings

## Standards

- Sizes ½" through 1":  
NEC/CEC  
Class I, Division 1 & 2, Groups A, B, C, D  
Class II, Division 1, Groups E, F, G  
Class II, Division 2, Groups F, G  
Class III
- Sizes 1-¼" through 4":  
NEC/CEC  
Class I, Division 1 & 2, Groups C, D  
Class II, Division 1, Groups E, F, G  
Class II, Division 2, Groups F, G  
Class III



## Malleable Elbows 90° Male-Male

PIPE SIZE	FERROUS CATALOG #	A	NOMINAL WEIGHT
1/2"	PREL195	1.44	0.3
3/4"	PREL295	1.63	0.5
1"	PREL395	1.88	0.7

## Malleable Elbows 90° Male-Female

PIPE SIZE	FERROUS CATALOG #	A	NOMINAL WEIGHT	ALUMINUM CATALOG #
1/2"	PREL196	1.53	0.3	PREL196SA
3/4"	PREL296	1.63	0.5	PREL296SA
1"	PREL396	1.88	1.2	PREL396SA
1-1/4"	PREL496	2.13	2.8	-

## Malleable Elbows 90° Female-Female

PIPE SIZE	FERROUS CATALOG #	A	NOMINAL WEIGHT	ALUMINUM CATALOG #
1/2"	PREL19	1.53	0.7	PREL19SA
3/4"	PREL29	1.75	0.9	PREL29SA
1"	PREL39	2.00	1.2	PREL39SA
1-1/4"	PREL49	2.25	2.4	PREL49SA
1-1/2"	PREL59	4.00	3.0	PREL59SA
2"	PREL69	5.00	6.0	PREL69SA
2-1/2"	PREL79	6.44	7.9	-



# Conduit Unions



## Description

Plasti-Bond REDH<sub>2</sub>OT UNF unions are used to connect conduit to conduit and to allow for future changes to the conduit system. Female threads are provided at each end. Plasti-Bond REDH<sub>2</sub>OT UNY unions are used to connect conduit to a conduit fitting, junction box, or device enclosure. One end is a male thread and the other is female.

## Features

- 40 mil gray PVC exterior coating
- 2 mil red urethane interior coating
- 13 trade sizes from 1/2" through 6"
- Sealing sleeves on all female conduit openings
- Molded PVC gasket seals fitting

## UNF

PIPE SIZE	FERROUS CATALOG #	NOMINAL WEIGHT	LENGTH	MAX DIA.	ALUMINUM CATALOG #
1/2"	PRUNF105	0.3	1.81	2.00	PRUNF105SA
3/4"	PRUNF205	0.5	1.75	2.25	PRUNF205SA
3/4" - 1/2"	PRUNF215	0.6	1.75	2.25	-
1"	PRUNF305	0.7	2.00	2.75	PRUNF305SA
1-1/4"	PRUNF405	1.5	2.25	3.00	PRUNF405SA
1-1/2"	PRUNF505	2.3	2.63	3.50	PRUNF505SA
2"	PRUNF605	3.6	2.56	4.50	PRUNF605SA
2-1/2"	PRUNF705	5.0	3.19	4.75	PRUNF705SA
3"	PRUNF805	6.5	3.44	5.50	PRUNF805SA
3-1/2"	PRUNF905	8.2	4.13	6.50	PRUNF905SA
4"	PRUNF1005	10.0	4.13	7.00	PRUNF1005SA
5"	PRUNF012	12.5	3.81	9.00	-
6"	PRUNF014	14.8	3.81	10.25	-

## Standards

### UL 1203 (E476062)

- NEC/CEC
- CSA C22.2 NO.30

### UNF/UNY 1/2" through 1"

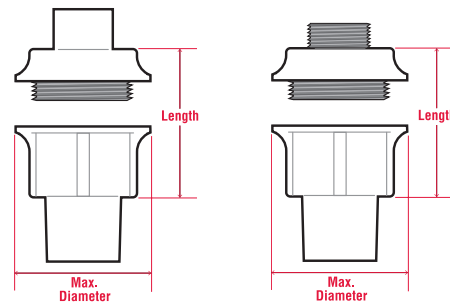
- Class I, Division 1 & 2, Groups A, B, C, D
- Class II, Division 1, Groups E, F, G
- Class II, Division 2, Groups F, G
- Class III

### UNF/UNY 1-1/2 through 4"

- Class I, Division 1 & 2, Groups B, C, D
- Class II, Division 1, Groups E, F, G
- Class II, Division 2, Groups F, G
- Class III

### Aluminum - All Sizes

- Class I, Division 1 & 2, Groups C, D
- Class II, Division 1, Groups E, F, G
- Class II, Division 2, Groups F, G
- Class III



## UNY

PIPE SIZE	FERROUS CATALOG #	NOMINAL WEIGHT	LENGTH	MAX DIA.	ALUMINUM CATALOG #
1/2"	PRUNY105	0.4	2.38	2.00	PRUNY105SA
3/4"	PRUNY205	0.7	2.44	2.25	PRUNY205SA
3/4" - 1/2"	PRUNY215	0.8	2.44	2.25	-
1"	PRUNY305	1.3	2.75	2.75	PRUNY305SA
1-1/4"	PRUNY405	2.6	3.19	3.00	PRUNY405SA
1-1/2"	PRUNY505	3.9	3.56	3.50	PRUNY505SA
2"	PRUNY605	4.2	3.75	4.50	PRUNY605SA
2-1/2"	PRUNY705	5.5	4.63	4.75	PRUNY705SA
3"	PRUNY805	7.5	5.00	5.50	PRUNY805SA
3-1/2"	PRUNY905	8.4	5.50	6.50	PRUNY905SA
4"	PRUNY1005	10.5	5.63	7.00	PRUNY1005SA
5"	PRUNY012	12.0	5.25	9.00	-
6"	PRUNY014	14.9	5.38	10.25	-

# GUA Series Outlet Boxes



## Description

Plasti-Bond REDH<sub>2</sub>OT GUA series conduit outlet boxes are installed in hazardous location conduit systems to serve as pull-and-splice boxes, to change the direction of a conduit run, to connect runs of conduit, or to provide access to conductors. They are provided with covers as standard. Inquire about special covers to use as mounts for light fixtures or as sealing fittings. Electrical continuity of the conduit system is maintained across assembled joints.

## Features

- 40 mil gray PVC exterior coating
- 2 mil red urethane interior coating
- Trade sizes from ½” through 2” in various styles and configurations
- Sealing sleeves on all female conduit openings
- Neoprene O-ring is standard
- Molded-in PVC seal preserves venting characteristics of fitting, but seals out corrosives
- Standard material is a cast iron alloy body with a copper-free aluminum cover. Consult factory for availability of cast iron covers
- Internal green grounding screw is standard

## Standards

### UL 1203 (E495357)

- NEC/CEC
- CSA C22.2 NO.30

### Steel and Aluminum

- UL 514A, 514D (E231035)
- CSA C22.2 No. 18, CSA C22.2 No. 42

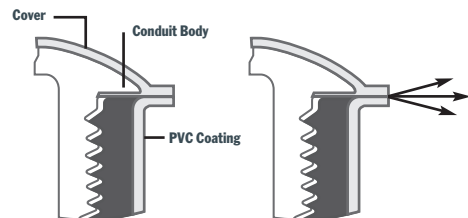
### NEC/CEC

- Class I, Division 1 & 2, Groups C, D
- Class II, Division 1, Groups E, F, G
- Class II, Division 2, Groups F, G
- Class III

### ANSI Standard C-33.27

### NEMA/EEMAC 3,4

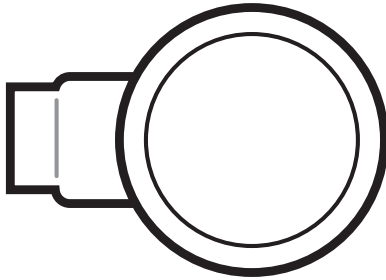
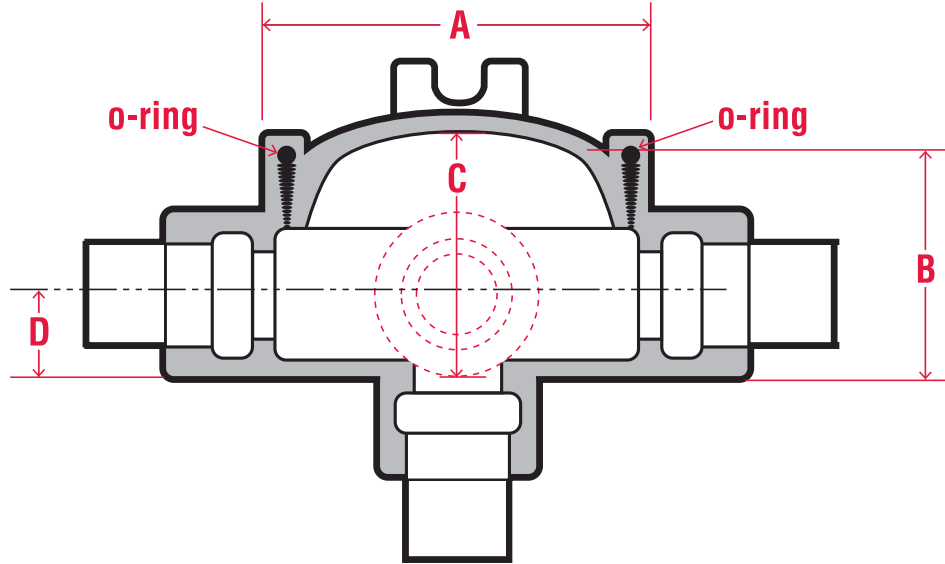
\*When ordered with suffix -SA are listed for Class I, Division 1 & 2, Groups B, C and D, Class II, Division 1, Groups E, F, G and Class III. Covers have 16 pitch threads. Replacement cover is a GUA06-GB.



*An integral PVC gasket on GUA type fittings preserves the venting characteristics of the uncoated fitting, but prevents corrosive liquids from entering from the outside.*

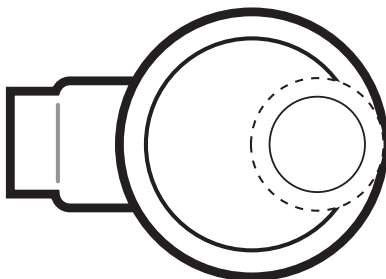
# GUA Series Outlet Boxes

Variables referenced to the technical data charts.



## GUA

PIPE SIZE	FERROUS CATALOG #	COVER OPENING	ALUMINUM CATALOG #	PRODUCT DIMENSIONS			
				A	B	C	D
1/2"	PRGUA14	2"	-	2.58	1.85	1.75	0.67
1/2"	PRGUA16	3"	-	3.58	2.04	1.88	0.67
3/4"	PRGUA24	2"	-	2.58	2.04	2.00	0.79
3/4"	PRGUA26	3"	PRGUA26SA	3.58	2.04	1.88	0.79
1"	PRGUA36	3"	-	3.58	2.35	2.19	0.92
1-1/4"	PRGUA47	3-5/8"	-	4.33	2.73	2.75	1.13
1-1/2"	PRGUA59	5"	-	5.83	3.85	3.75	1.32

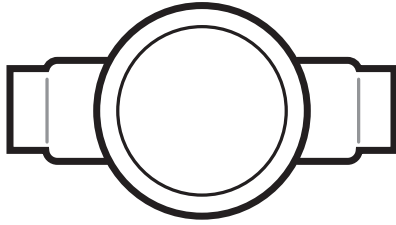


## GUAB

PIPE SIZE	FERROUS CATALOG #	COVER OPENING	NOMINAL WEIGHT	ALUMINUM CATALOG #	PRODUCT DIMENSIONS			
					A	B	C	D
1/2"	PRGUAB14	2"	2.0	PRGUAB14SA	2.58	2.29	2.19	0.67
1/2"	PRGUAB16	3"	3.2	PRGUAB16SA	3.58	2.04	1.88	0.67
3/4"	PRGUAB24	2"	2.2	-	2.58	2.54	2.44	0.79
3/4"	PRGUAB26	3"	3.3	PRGUAB26SA	3.58	2.04	1.88	0.79
1"	PRGUAB36	3"	3.8	PRGUAB36SA	3.58	2.35	2.19	0.92
1-1/4"	PRGUAB47	3-5/8"	5.0	PRGUAB47SA	4.33	2.73	2.75	1.13
1-1/2"	PRGUAB59	5"	8.1	PRGUAB59SA	5.83	3.85	3.75	1.32
2"	PRGUAB69	5"	9.1	PRGUAB69SA	5.83	4.10	4.00	1.60

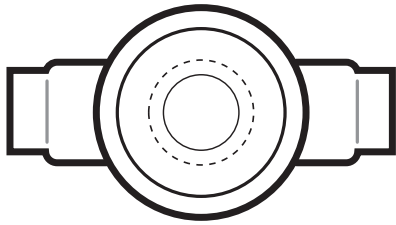


# GUA Series Outlet Boxes



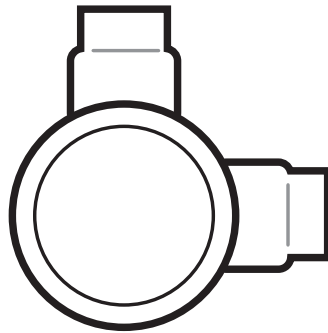
## GUAC

PIPE SIZE	FERROUS CATALOG #	COVER OPENING	NOMINAL WEIGHT	ALUMINUM CATALOG #	PRODUCT DIMENSIONS			
					A	B	C	D
1/2"	PRGUAC14	2"	3.5	PRGUAC14SA	2.58	2.29	2.19	0.67
1/2"	PRGUAC16	3"	2.0	PRGUAC16SA	3.58	2.04	1.88	0.67
3/4"	PRGUAC24	2"	3.5	PRGUAC24SA	2.58	2.04	2.00	0.79
3/4"	PRGUAC26	3"	2.0	PRGUAC26SA	3.58	2.04	1.88	0.79
1"	PRGUAC36	3"	3.9	PRGUAC36SA	3.58	2.35	2.19	0.92
1-1/4"	PRGUAC47	3-5/8"	5.2	PRGUAC47SA	4.33	2.73	2.75	1.13
1-1/4"	PRGUAC49	5"	9.5	-	5.83	3.85	3.75	1.20
1-1/2"	PRGUAC59	5"	11.0	PRGUAC59SA	5.83	3.85	3.75	1.32
2"	PRGUAC69	5"	11.0	PRGUAC69SA	5.83	4.10	4.00	1.60



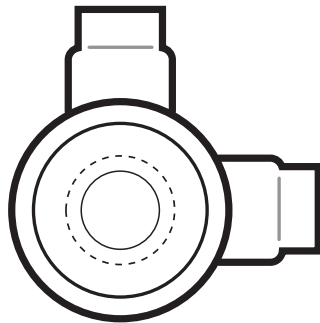
## GUAD

PIPE SIZE	FERROUS CATALOG #	COVER OPENING	NOMINAL WEIGHT	ALUMINUM CATALOG #	PRODUCT DIMENSIONS			
					A	B	C	D
1/2"	PRGUAD14	2"	2.0	-	2.58	1.85	1.75	0.67
1/2"	PRGUAD16	3"	3.2	-	3.58	2.04	1.88	0.67
3/4"	PRGUAD24	2"	3.5	-	2.58	2.04	2.00	0.79
3/4"	PRGUAD26	3"	3.8	PRGUAD26SA	3.58	2.04	1.88	0.79
1"	PRGUAD36	3"	3.8	PRGUAD36SA	3.58	2.35	2.19	0.92
1-1/4"	PRGUAD49	5"	10.9	-	5.83	3.85	3.75	1.13



## GUAL

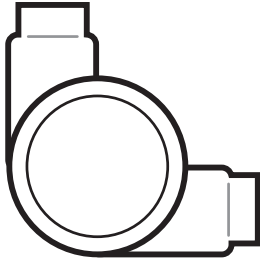
PIPE SIZE	FERROUS CATALOG #	COVER OPENING	NOMINAL WEIGHT	ALUMINUM CATALOG #	PRODUCT DIMENSIONS			
					A	B	C	D
1/2"	PRGUAL14	2"	2.0	PRGUAL14SA	2.58	1.85	1.75	0.67
1/2"	PRGUAL16	3"	2.1	PRGUAL16SA	3.58	2.04	1.88	0.67
3/4"	PRGUAL24	2"	3.2	PRGUAL24SA	2.58	2.04	2.00	0.79
3/4"	PRGUAL26	3"	2.5	PRGUAL26SA	3.58	2.04	1.88	0.79
1"	PRGUAL36	3"	3.7	PRGUAL36SA	3.58	2.35	2.19	0.92
1-1/4"	PRGUAL47	3-5/8"	5.2	PRGUAL47SA	4.33	2.73	2.75	1.13
1-1/4"	PRGUAL49	5"	8.5	PRGUAL49SA	5.83	3.85	3.75	1.20
1-1/2"	PRGUAL59	5"	11.2	PRGUAL59SA	5.83	3.85	3.75	1.32
2"	PRGUAL69	5"	12.5	PRGUAL69SA	5.83	4.10	4.00	1.60



## GUAM

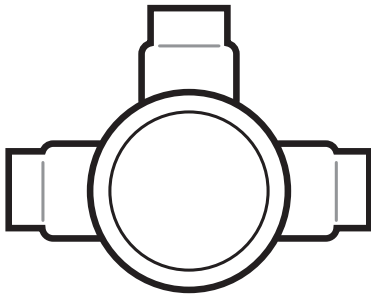
PIPE SIZE	FERROUS CATALOG #	COVER OPENING	NOMINAL WEIGHT	ALUMINUM CATALOG #	PRODUCT DIMENSIONS			
					A	B	C	D
1/2"	PRGUAM14	2"	2.0	PRGUAM14SA	2.58	1.85	1.75	0.67
1/2"	PRGUAM16	3"	3.2	-	3.58	2.04	1.88	0.67
3/4"	PRGUAM24	2"	2.2	-	2.58	2.04	2.00	0.79
3/4"	PRGUAM26	3"	3.3	-	3.58	2.04	1.88	0.79
1"	PRGUAM36	3"	3.8	-	3.58	2.35	2.19	0.92
1-1/4"	PRGUAM47	3-5/8"	5.0	-	4.33	2.73	2.75	1.13
2"	PRGUAM69	5"	9.1	-	5.83	4.10	4.00	1.60

# GUA Series Outlet Boxes



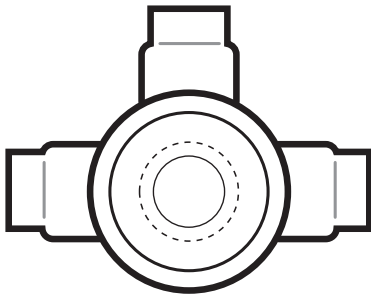
## GUAN

PIPE SIZE	FERROUS CATALOG #	COVER OPENING	NOMINAL WEIGHT	PRODUCT DIMENSIONS			
				A	B	C	D
1/2"	PRGUAN14	2"	2.0	2.58	2.17	2.06	0.67
1/2"	PRGUAN16	3"	3.8	3.58	2.04	1.88	0.67
3/4"	PRGUAN24	2"	2.5	2.58	2.35	2.25	0.79
3/4"	PRGUAN26	3"	3.5	3.58	2.04	1.88	0.79
1"	PRGUAN36	3"	3.0	3.58	2.35	2.38	0.92
1-1/4"	PRGUAN47	3-5/8"	5.2	4.33	2.73	2.75	1.13
1-1/2"	PRGUAN59	5"	9.5	5.83	4.10	4.00	1.32
2"	PRGUAN69	5"	12.0	5.83	4.10	4.00	1.60



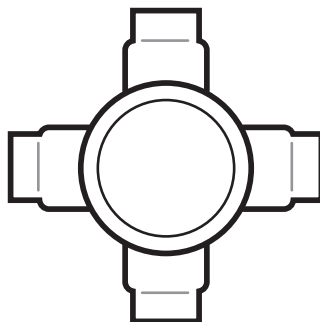
## GUAT

PIPE SIZE	FERROUS CATALOG #	COVER OPENING	NOMINAL WEIGHT	ALUMINUM CATALOG #	PRODUCT DIMENSIONS			
					A	B	C	D
1/2"	PRGUAT14	2"	2.0	PRGUAT14SA	2.58	2.29	2.19	0.67
1/2"	PRGUAT16	3"	2.8	PRGUAT16SA	3.58	2.04	1.88	0.67
3/4"	PRGUAT24	2"	2.2	PRGUAT24SA	2.58	2.04	2.00	0.79
3/4"	PRGUAT26	3"	3.5	PRGUAT26SA	3.58	2.04	1.88	0.79
1"	PRGUAT36	3"	3.2	PRGUAT36SA	3.58	2.35	2.19	0.92
1-1/4"	PRGUAT47	3-5/8"	5.7	PRGUAT47SA	4.33	2.73	2.75	1.13
1-1/2"	PRGUAT59	5"	9.1	PRGUAT59SA	5.83	3.85	3.75	1.32
2"	PRGUAT69	5"	10.0	PRGUAT69SA	5.83	4.10	4.00	1.60



## GUAW

PIPE SIZE	FERROUS CATALOG #	COVER OPENING	NOMINAL WEIGHT	ALUMINUM CATALOG #	PRODUCT DIMENSIONS			
					A	B	C	D
1/2"	PRGUAW14	2"	2.0	-	2.58	1.85	1.75	0.67
1/2"	PRGUAW16	3"	2.0	-	3.58	2.04	1.88	0.67
3/4"	PRGUAW24	2"	3.0	-	2.58	2.04	2.00	0.79
3/4"	PRGUAW26	3"	3.0	PRGUAW26SA	3.58	2.04	1.88	0.79



## GUAX

PIPE SIZE	FERROUS CATALOG #	COVER OPENING	NOMINAL WEIGHT	ALUMINUM CATALOG #	PRODUCT DIMENSIONS			
					A	B	C	D
1/2"	PRGUAX14	2"	2.0	-	2.58	1.85	1.75	0.67
1/2"	PRGUAX16	3"	3.8	PRGUAX16SA	3.58	2.04	1.88	0.67
3/4"	PRGUAX24	2"	2.5	PRGUAX24SA	2.58	2.04	2.00	0.79
3/4"	PRGUAX26	3"	2.8	PRGUAX26SA	3.58	2.04	1.88	0.79
1"	PRGUAX36	3"	4.2	PRGUAX36SA	3.58	2.35	2.19	0.92
1-1/4"	PRGUAX47	3-5/8"	4.8	PRGUAX47SA	4.33	2.73	2.75	1.13
1-1/2"	PRGUAX59	5"	11.7	PRGUAX59SA	5.83	3.85	3.75	1.32
2"	PRGUAX69	5"	12.5	PRGUAX69SA	5.83	4.10	4.00	1.60

# Sealing Fittings

## Description

Plasti-Bond REDH<sub>2</sub>O<sub>T</sub> sealing fittings are used in conduit runs to stop gasses, vapors, or flames from migrating from one part of the conduit system to another. This limits the spread of any potential explosion, enhancing safety. The PVC and urethane coatings of the fittings protect them from corrosive atmospheres so they can continue to function in hazardous locations. These fittings are available in several different configurations and with optional breathers and drains to accommodate installation in a variety of locations and positions. The EYD, EYDX, and EZD styles of fittings are for installation in vertical conduit runs. The EYS and EYSX style fittings are for installation in either vertical or horizontal runs. The EZS style fitting may be used in any angle of conduit run. Plasti-Bond's patented P5SA™ system on sealing fittings allows for a UL-required plug engagement verification. Installers and inspectors can depend on positional feedback ensuring Plasti-Bond urethane-coated plugs are correctly engaged the first time, every time with no compromise to critical corrosion protection.



FEATURING  
OUR NEW  
INNOVATION  
**P5SA™**

## Features

- 40 mil gray PVC exterior coating
- 2 mil red urethane interior coating
- 10 trade sizes from ½" through 4"
- Sealing sleeves on all conduit openings
- EYDX and EYSX seals have 40% wire fill capacity
- EYD and EZD fittings include a drain for condensate
- EZD fittings may be used at any conduit angle and include drain
- P5SA™ Plug Verification System

## Standards

### UL 1203 (E476062)

- NEC/CEC
- CSA C22.2 NO.30

### EYS 1-3, 11-31, 16-36, 116-316

- Class I, Division 1 & 2, Groups A, B, C, D
- Class II, Division 1, Groups E, F, G
- Class II, Division 2, Groups F, G
- Class III

### EYS 41-61, 416-1016, EYSX 11-81, EYDX 11-81

- Class I, Division 1 & 2, Groups B, C, D
- Class II, Division 1, Groups E, F, G
- Class II, Division 2, Groups F, G
- Class III

### EYS 29, 4-10, 46-106, EZS 1-8, 16-86, EYD 1-10, 16-106, EZD 10-60, 111-611

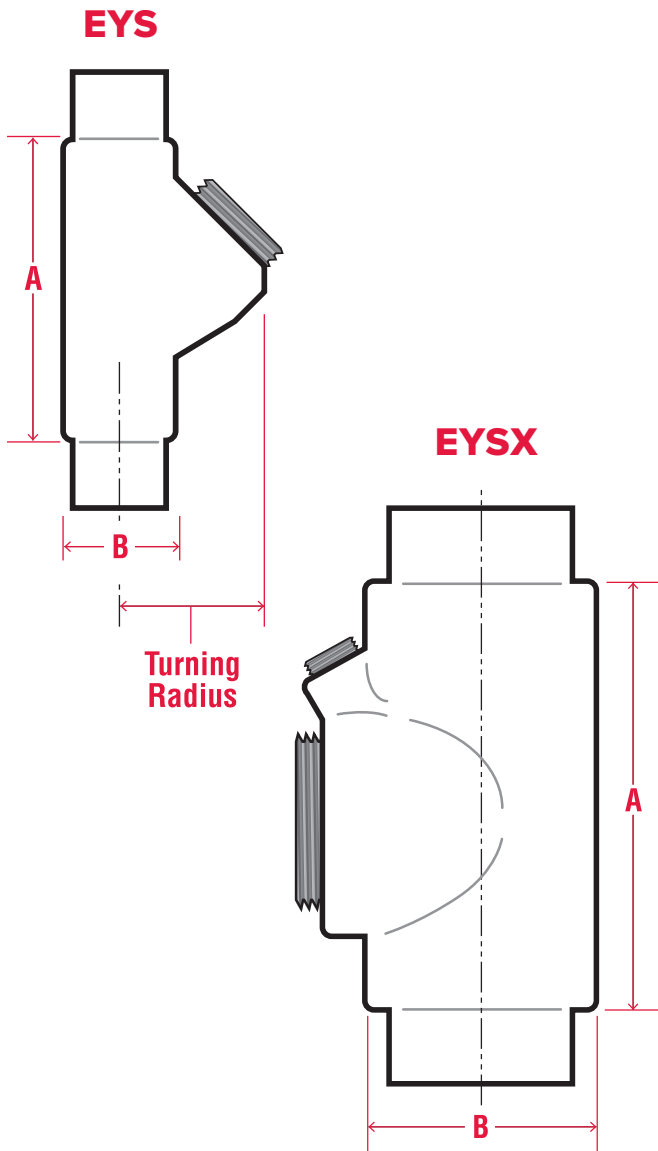
- Class I, Division 1 & 2, Groups C, D
- Class II, Division 1, Groups F, G
- Class II, Division 2, Groups F, G
- Class III

### EYSX 9-10

- Class I, Division 1 & 2, Groups C, D
- Class II, Division 1, Groups E, F, G
- Class II, Division 2, Groups F, G
- Class III

*These Plasti-Bond REDH<sub>2</sub>O<sub>T</sub> sealing fittings should be used with a suitable system of sealing compound, such as Chico A, Chico X, or Chico A-P from Crouse-Hinds. Chico® SpeedSeal™ may be used on EYS or EYD sizes ½" through 2". Follow the installation instructions included with the sealing compound and properly tag after installation to ensure correct classification ratings.*

# Sealing Fittings



## EYS - Female Hubs

For Sealing in Vertical Positions Only

PIPE SIZE	FERROUS CATALOG #	NOMINAL WEIGHT	A	B	TURNING RADIUS	ALUMINUM CATALOG #
1/2"	PREYS1	1.0	3.28	1.33	1.63	PREYS1SA
3/4"	PREYS2	1.5	3.75	1.58	1.91	PREYS2SA
1"	PREYS3	2.1	4.31	1.83	2.38	PREYS3SA

For Sealing in Vertical or Horizontal Positions

1-1/4"	PREYS4	2.7	5.06	2.27	1.72	PREYS4SA
1-1/2"	PREYS5	3.7	5.50	2.52	2.06	PREYS5SA
2"	PREYS6	4.7	6.25	3.08	2.31	PREYS6SA
2-1/2"	PREYS7	10.0	7.50	3.58	2.69	PREYS7SA
3"	PREYS8	11.2	8.50	4.33	3.31	PREYS8SA
3-1/2"	PREYS9	14.5	9.19	4.83	3.44	PREYS9SA
4"	PREYS10	16.0	9.75	5.33	3.69	PREYS10SA

## EYS - Male/Female Hubs

For Sealing in Vertical Positions Only

PIPE SIZE	FERROUS CATALOG #	NOMINAL WEIGHT	A	B	TURNING RADIUS	ALUMINUM CATALOG #
1/2"	PREYS16	1.5	3.28	1.33	1.63	PREYS16SA
3/4"	PREYS26	1.5	3.75	1.58	1.91	PREYS26SA
1"	PREYS36	2.3	4.31	1.83	2.38	PREYS36SA

## EYS - Female Hubs

For Sealing in Vertical or Horizontal Positions

PIPE SIZE	FERROUS CATALOG #	NOMINAL WEIGHT	A	B	TURNING RADIUS	ALUMINUM CATALOG #
1/2"	PREYS11	1.3	3.69	1.33	1.16	PREYS11SA
3/4"	PREYS21	1.1	3.69	1.58	1.25	PREYS21SA
1"	PREYS31	2.2	4.31	1.83	1.38	PREYS31SA

## EYS - Male/Female Hubs

For Sealing in Vertical or Horizontal Positions

PIPE SIZE	FERROUS CATALOG #	NOMINAL WEIGHT	A	B	TURNING RADIUS	ALUMINUM CATALOG #
1/2"	PREYS116	1.5	3.69	1.33	1.16	PREYS116SA
3/4"	PREYS216	1.2	3.69	1.58	1.25	PREYS216SA
1"	PREYS316	2.6	4.31	1.83	1.38	PREYS316SA
1-1/4"	PREYS46	2.8	5.06	2.27	1.72	PREYS46SA
1-1/2"	PREYS56	3.7	5.50	2.52	2.06	PREYS56SA
2"	PREYS66	5.6	6.25	3.08	2.31	PREYS66SA
2-1/2"	PREYS76	13.2	7.50	3.58	2.69	PREYS76SA
3"	PREYS86	11.2	8.50	4.33	3.31	PREYS86SA
3-1/2"	PREYS96	14.5	9.19	4.83	3.44	PREYS96SA
4"	PREYS106	1.5	9.75	5.33	3.69	PREYS106SA

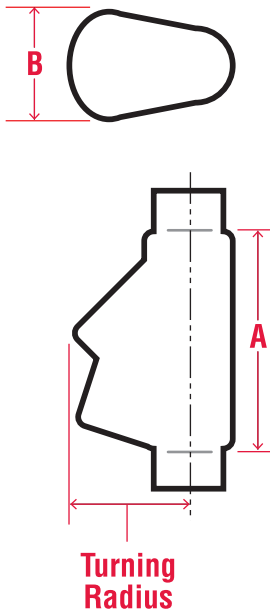
## EYSX - Expanded Fill Female Hubs

For Sealing in Vertical or Horizontal Positions

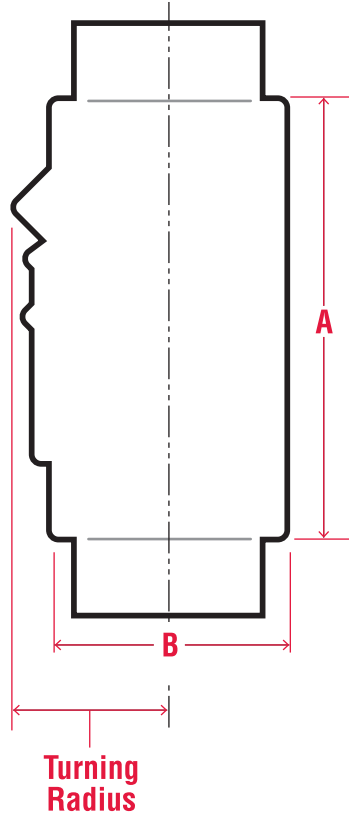
PIPE SIZE	FERROUS CATALOG #	NOMINAL WEIGHT	A	B	TURNING RADIUS	ALUMINUM CATALOG #
1/2"	PREYSX11	1.5	3.69	1.58	1.25	PREYSX1SA
3/4"	PREYSX21	2.1	4.31	1.83	1.38	PREYSX2SA
1"	PREYSX31	2.7	5.06	2.27	1.72	PREYSX3SA
1-1/4"	PREYSX41	3.7	6.25	3.08	2.31	PREYSX4SA
1-1/2"	PREYSX51	4.7	6.25	3.08	2.31	PREYSX5SA
2"	PREYSX61	6.7	8.50	4.33	3.31	PREYSX6SA
2-1/2"	PREYSX71	7.7	9.19	4.83	3.44	PREYSX7SA
3"	PREYSX81	8.7	9.75	5.33	3.69	PREYSX8SA
3-1/2"	PREYSX9	9.7	11.06	6.58	4.59	PREYSX9SA
4"	PREYSX10	10.7	11.06	6.58	4.59	PREYSX10SA

# Sealing Fittings

## EYD 1/2" through 1"



## EYD 1-1/4" through 4"



## EYD - Female Hubs With Drain For Sealing in Vertical Positions Only

PIPE SIZE	FERROUS CATALOG #	NOMINAL WEIGHT	A	B	TURNING RADIUS	ALUMINUM CATALOG #
1/2"	PREYD1	1.4	3.28	1.33	1.63	PREYD1SA
3/4"	PREYD2	1.7	3.69	1.58	1.91	PREYD2SA
1"	PREYD3	2.3	4.31	2.27	2.38	PREYD3SA
1-1/4"	PREYD4	2.5	5.06	2.27	1.84	PREYD4SA
1-1/2"	PREYD5	4.0	5.50	2.52	2.06	PREYD5SA
2"	PREYD6	4.7	6.25	3.08	2.31	PREYD6SA
2-1/2"	PREYD7	9.0	7.50	3.58	2.69	PREYD7SA
3"	PREYD8	10.2	8.50	4.33	3.31	PREYD8SA
3-1/2"	PREYD9	10.5	9.19	4.83	3.44	PREYD9SA
4"	PREYD10	4.0	9.75	5.33	3.50	PREYD10SA

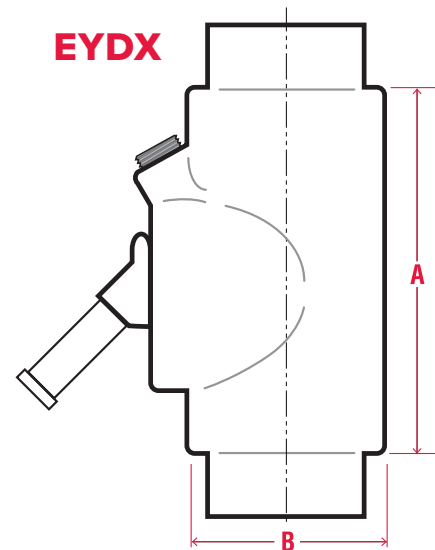
## EYD - Male/Female Hubs With Drain For Sealing in Vertical Positions Only

PIPE SIZE	FERROUS CATALOG #	NOMINAL WEIGHT	A	B	TURNING RADIUS	ALUMINUM CATALOG #
1/2"	PREYD16	2.7	3.28	1.33	1.63	PREYD16SA
3/4"	PREYD26	2.8	3.69	1.58	1.91	PREYD26SA
1"	PREYD36	2.9	4.31	2.27	2.38	PREYD36SA
1-1/4"	PREYD46	2.6	5.06	2.27	1.84	PREYD46SA
1-1/2"	PREYD56	3.7	5.50	2.52	2.06	PREYD56SA
2"	PREYD66	5.2	6.25	3.08	2.31	PREYD66SA
2-1/2"	PREYD76	9.5	7.50	3.58	2.69	PREYD76SA
3"	PREYD86	11.3	8.50	4.33	3.31	PREYD86SA
3-1/2"	PREYD96	12.5	9.19	4.83	3.44	PREYD96SA
4"	PREYD106	16.7	9.75	5.33	3.50	PREYD106SA

## EYDX - Expanded Fill Female Hubs With Drain For Sealing in Vertical Positions Only

PIPE SIZE	FERROUS CATALOG #	NOMINAL WEIGHT	A	B	TURNING RADIUS	ALUMINUM CATALOG #
1/2"	PREYDX11	1.7	3.69	1.83	1.91	PREYDX1SA
3/4"	PREYDX21	2.3	4.31	2.27	2.38	PREYDX2SA
1"	PREYDX31	2.5	5.06	2.27	1.84	PREYDX3SA
1-1/4"	PREYDX41	4.0	6.25	3.08	2.31	PREYDX4SA
1-1/2"	PREYDX51	4.7	6.25	3.08	2.31	PREYDX5SA
2"	PREYDX61	9.0	8.50	4.33	3.31	PREYDX6SA
2-1/2"	PREYDX71	10.2	9.19	4.83	3.44	PREYDX7SA
3"	PREYDX81	10.5	9.75	5.33	3.50	PREYDX8SA

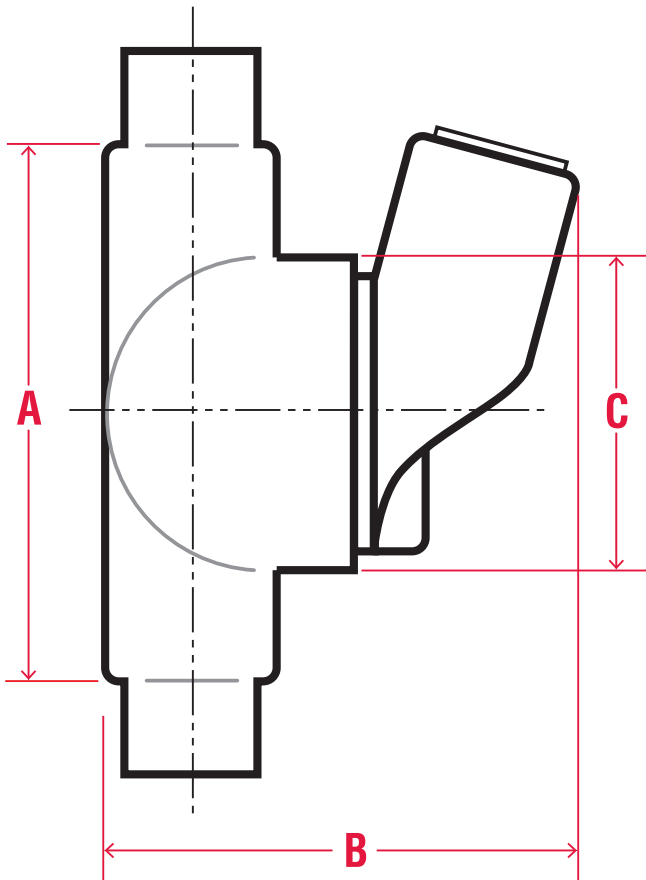
## EYDX





# Sealing Fittings

## EZS

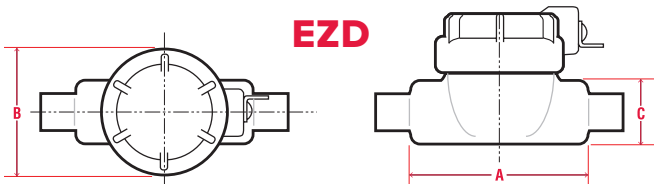


### EZS - Female Hubs For Sealing in Any Position

PIPE SIZE	FERROUS CATALOG #	NOMINAL WEIGHT	A	B	C	TURNING RADIUS
1/2"	PREZS1	2.0	4.19	3.71	2.58	1.88
3/4"	PREZS2	2.3	4.19	3.71	2.58	1.88
1"	PREZS3	2.7	4.94	4.05	3.08	2.13
1-1/4"	PREZS4	3.5	5.06	4.49	3.08	2.31
1-1/2"	PREZS5	4.0	5.19	4.64	3.33	2.34
2"	PREZS6	8.2	7.06	5.49	5.27	3.28
2-1/2"	PREZS7	8.5	7.94	5.92	5.27	3.38
3"	PREZS8	9.0	8.63	6.58	5.96	3.88

### EZS - Male/Female Hubs With Drain For Sealing in Any Position

PIPE SIZE	FERROUS CATALOG #	NOMINAL WEIGHT	A	B	C	TURNING RADIUS
1/2"	PREZS16	2.0	4.19	3.71	2.58	1.88
3/4"	PREZS26	2.4	4.19	3.71	2.58	1.88
1"	PREZS36	3.0	4.94	4.05	3.08	2.13
1-1/4"	PREZS46	4.0	5.06	4.49	3.08	2.31
1-1/2"	PREZS56	4.6	5.19	4.64	3.33	2.34
2"	PREZS66	6.9	7.06	5.49	5.27	3.28
2-1/2"	PREZS76	9.2	7.94	5.92	5.27	3.38
3"	PREZS86	8.7	8.63	6.58	5.96	3.88



### EZD - Female Hubs With Drain and Inspection Cover For Sealing in Vertical Positions Only

PIPE SIZE	FERROUS CATALOG #	A	B	C	TURNING RADIUS
1/2"	PREZD111	4.19	3.08	3.46	2.06
3/4"	PREZD211	4.19	3.08	3.71	2.19
1"	PREZD311	4.94	3.58	3.96	2.44
1-1/4"	PREZD411	4.94	3.58	4.39	2.63
1-1/2"	PREZD511	5.19	3.58	4.64	2.69
2"	PREZD611	7.13	5.64	5.33	3.69

### Sealing Compounds

CATALOG #	DESCRIPTION
PBCHICOA3	CHICO A3 SEALING COMPOUND
PBCHICOA4	CHICO A4 SEALING COMPOUND
PBCHICOA05	CHICO A05 SEALING COMPOUND
PBCHICOA19PX	CHICO A19 PX SEALING COMPOUND
PBCHICOA39PX	CHICO A39 PX SEALING COMPOUND
PBCHICOX4	CHICO X4 FIBER
PBCHICOX6	CHICO X6 FIBER
PBCHICOX7	CHICO X7 FIBER
PBCHICOSS2	CHICO 2 OZ SPEEDSEAL
PBCHICOSS6	CHICO 6 OZ SPEEDSEAL

# ECGJH and ECLK Series Couplings



## Description

EC Series couplings are used in hazardous areas where a flexible member is required in a conduit system to accomplish difficult bends or to allow for movement or vibration of connected equipment or units.

## Features

- 40 mil gray PVC exterior coating
- Rugged design to withstand explosive pressure (Class I) and mechanical abuse
- Liquid tight for wet locations
- For use where lack of space makes use of rigid conduit difficult
- Wire duct liner in sizes from 1/2" through 2" insulates against grounds and burn-through from short circuit
- No bonding jumpers required; metallic braid provides continuous electrical path
- ECGJH combination has two threaded male end fittings
- ECLK combination has one female union and one male threaded end fitting

## Standards

### NEC/CEC

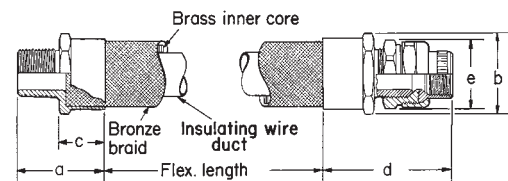
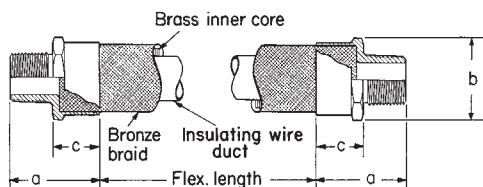
- 1/2" and 3/4": Class I, Division 1, Groups A, B, C, D
- 1" through 2": Class I, Division 1, Groups C, D
- All sizes for use in Class II, Division 1, Groups E, F, G; Class III

### UL Standard

- UL 1203
- CSA C22.2 NO.30

### Standard Materials and Fittings

- End fittings – 1/2" through 2": forged brass, natural; 2-1/2" through 4": stainless steel, natural
- Female unions – 1/2" through 1": steel, electrogalvanized with PVC coating; 1-1/4" through 4": Feraloy® iron alloy, electrogalvanized with PVC coating
- 1/2" through 2" have bronze braid covering and flexible brass inner core; packing is woven cotton braid impregnated with asphalt
- 2-1/2" through 4" have a Type 304 stainless steel braid



## Dimensions (In Inches)

HUB SIZE	A	B	C	D	E
1/2"	1-7/8	1-1/2	1-1/8	3	1-9/16
3/4"	2-1/16	1-7/8	1-3/16	3-1/4	1-13/16
1"	2-1/2	2-1/8	1-1/2	3-5/8	1-7/8
1-1/4"	2-7/8	2-15/16	1-7/8	4-3/16	2-3/4
1-1/2"	3-5/16	3-1/2	1-7/8	5-3/16	3-1/16
2"	3-1/4	4-1/4	2	5-1/16	3-13/16
2-1/2"	3	4-7/16	1-5/8	5-1/16	4-5/16
3"	3-1/8	4-9/16	1-3/4	5-3/8	5-1/16
4"	4-5/8	4-15/16	3-1/4	7-1/2	6-3/16

## Minimum Recommended Radius of Bend

HUB SIZE	RADIUS
1/2"	10
3/4"	12
1"	14
1-1/4"	14
1-1/2"	16
2"	16
2-1/2"	16
3"	18
4"	30

# ECGJH and ECLK Series Couplings

## ECGJH - Male/Male

FLEXIBLE LENGTH	HUB SIZE	CATALOG #
4	1/2	PBECGJH14
4	3/4	PBECGJH24
6	1/2	PBECGJH16
6	3/4	PBECGJH26
6	1	PBECGJH36
8	1/2	PBECGJH18
8	3/4	PBECGJH28
8	1	PBECGJH38
10	1/2	PBECGJH110
10	3/4	PBECGJH210
10	1	PBECGJH310
12	1/2	PBECGJH112
12	3/4	PBECGJH212
12	1	PBECGJH312
12	1-1/4	PBECGJH412
12	1-1/2	PBECGJH512
12	2	PBECGJH612
12	2-1/2	PBECGJH712
12	3	PBECGJH812
12	4	PBECGJH1012
15	1/2	PBECGJH115
15	3/4	PBECGJH215
15	1	PBECGJH315

FLEXIBLE LENGTH	HUB SIZE	CATALOG #
15	1-1/4	PBECGJH415
15	1-1/2	PBECGJH515
15	2	PBECGJH615
15	2-1/2	PBECGJH715
15	3	PBECGJH815
15	4	PBECGJH1015
18	1/2	PBECGJH118
18	3/4	PBECGJH218
18	1	PBECGJH318
18	1-1/4	PBECGJH418
18	1-1/2	PBECGJH518
18	2	PBECGJH618
18	2-1/2	PBECGJH718
18	3	PBECGJH818
18	4	PBECGJH1018
21	1/2	PBECGJH121
21	3/4	PBECGJH221
21	1	PBECGJH321
21	1-1/4	PBECGJH421
21	1-1/2	PBECGJH521
21	2	PBECGJH621
21	2-1/2	PBECGJH721
21	3	PBECGJH821

FLEXIBLE LENGTH	HUB SIZE	CATALOG #
21	4	PBECGJH1021
24	1/2	PBECGJH124
24	3/4	PBECGJH224
24	1	PBECGJH324
24	1-1/4	PBECGJH424
24	1-1/2	PBECGJH524
24	2	PBECGJH624
24	2-1/2	PBECGJH724
24	3	PBECGJH824
24	4	PBECGJH1024
27	1/2	PBECGJH127
27	3/4	PBECGJH227
27	1	PBECGJH327
27	1-1/4	PBECGJH427
27	1-1/2	PBECGJH527
27	2	PBECGJH627
27	2-1/2	PBECGJH727
27	3	PBECGJH827
27	4	PBECGJH1027
30	1/2	PBECGJH130
30	3/4	PBECGJH230
30	1	PBECGJH330
30	1-1/4	PBECGJH430

FLEXIBLE LENGTH	HUB SIZE	CATALOG #
30	1-1/2	PBECGJH530
30	2	PBECGJH630
30	2-1/2	PBECGJH730
30	3	PBECGJH830
30	4	PBECGJH1030
33	1/2	PBECGJH133
33	3/4	PBECGJH233
33	1	PBECGJH333
33	1-1/4	PBECGJH433
33	1-1/2	PBECGJH533
33	2	PBECGJH633
33	2-1/2	PBECGJH733
33	3	PBECGJH833
33	4	PBECGJH1033
36	1/2	PBECGJH136
36	3/4	PBECGJH236
36	1	PBECGJH336
36	1-1/4	PBECGJH436
36	1-1/2	PBECGJH536
36	2	PBECGJH636
36	2-1/2	PBECGJH736
36	3	PBECGJH836
36	4	PBECGJH1036

## ECLK - Male/Female

FLEXIBLE LENGTH	HUB SIZE	CATALOG #
4	1/2	PBECLK14
4	3/4	PBECLK24
6	1/2	PBECLK16
6	3/4	PBECLK26
6	1	PBECLK36
8	1/2	PBECLK18
8	3/4	PBECLK28
8	1	PBECLK38
10	1/2	PBECLK110
10	3/4	PBECLK210
10	1	PBECLK310
12	1/2	PBECLK112
12	3/4	PBECLK212
12	1	PBECLK312
12	1-1/4	PBECLK412
12	1-1/2	PBECLK512
12	2	PBECLK612
12	2-1/2	PBECLK712
12	3	PBECLK812
12	4	PBECLK1012
15	1/2	PBECLK115
15	3/4	PBECLK215
15	1	PBECLK315

FLEXIBLE LENGTH	HUB SIZE	CATALOG #
15	1-1/4	PBECLK415
15	1-1/2	PBECLK515
15	2	PBECLK615
15	2-1/2	PBECLK715
15	3	PBECLK815
15	4	PBECLK1015
18	1/2	PBECLK118
18	3/4	PBECLK218
18	1	PBECLK318
18	1-1/4	PBECLK418
18	1-1/2	PBECLK518
18	2	PBECLK618
18	2-1/2	PBECLK718
18	3	PBECLK818
18	4	PBECLK1018
21	1/2	PBECLK121
21	3/4	PBECLK221
21	1	PBECLK321
21	1-1/4	PBECLK421
21	1-1/2	PBECLK521
21	2	PBECLK621
21	2-1/2	PBECLK721
21	3	PBECLK821

FLEXIBLE LENGTH	HUB SIZE	CATALOG #
21	4	PBECLK1021
24	1/2	PBECLK124
24	3/4	PBECLK224
24	1	PBECLK324
24	1-1/4	PBECLK424
24	1-1/2	PBECLK524
24	2	PBECLK624
24	2-1/2	PBECLK724
24	3	PBECLK824
24	4	PBECLK1024
27	1/2	PBECLK127
27	3/4	PBECLK227
27	1	PBECLK327
27	1-1/4	PBECLK427
27	1-1/2	PBECLK527
27	2	PBECLK627
27	2-1/2	PBECLK727
27	3	PBECLK827
27	4	PBECLK1027
30	1/2	PBECLK130
30	3/4	PBECLK230
30	1	PBECLK330
30	1-1/4	PBECLK430

FLEXIBLE LENGTH	HUB SIZE	CATALOG #
30	1-1/2	PBECLK530
30	2	PBECLK630
30	2-1/2	PBECLK730
30	3	PBECLK830
30	4	PBECLK1030
33	1/2	PBECLK133
33	3/4	PBECLK233
33	1	PBECLK333
33	1-1/4	PBECLK433
33	1-1/2	PBECLK533
33	2	PBECLK633
33	2-1/2	PBECLK733
33	3	PBECLK833
33	4	PBECLK1033
36	1/2	PBECLK136
36	3/4	PBECLK236
36	1	PBECLK336
36	1-1/4	PBECLK436
36	1-1/2	PBECLK536
36	2	PBECLK636
36	2-1/2	PBECLK736
36	3	PBECLK836
36	4	PBECLK1036

# OE Series Outlet Boxes



## Description

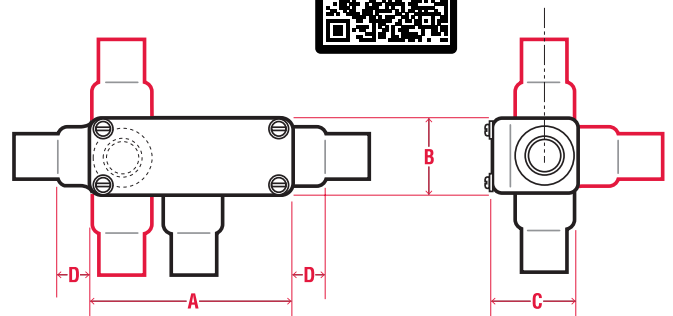
Plasti-Bond REDH<sub>2</sub>OT OE Series conduit outlet boxes are installed in hazardous location conduit systems to serve as pulling and splicing fittings, connect runs of conduit, change the direction of a conduit run, or to provide access to conductors. They are provided with covers. Electrical continuity of the conduit system is maintained across assembled joints.

## Features

- 40 mil gray PVC exterior coating
- 2 mil red urethane interior coating
- Available in 1/2" or 3/4" trade sizes
- PVC-coating on outer edge of cover provides additional protection to seal out corrosives
- Sealing sleeves on all female conduit openings
- Compact design saves space
- Encapsulated stainless steel cover screws

## Standards

- NEC/CEC
  - Class I, Division 1 & 2, Groups C, D
  - Class II, Division 1, Groups E, F, G
  - Class II, Division 2, Groups F, G
  - Class III



### OELB Outlet Boxes

PIPE SIZE	FERROUS CATALOG #	NOMINAL WEIGHT	A	B	C	D
1/2"	PROELB1	2.2	4.14	1.64	1.89	0.69
3/4"	PROELB2	3.0	4.39	1.96	2.14	0.69

### OET Outlet Boxes

PIPE SIZE	FERROUS CATALOG #	NOMINAL WEIGHT	A	B	C	D
1/2"	PROET1	2.2	4.14	1.64	1.89	0.69
3/4"	PROET2	3.0	4.39	1.96	2.14	0.69

### OE Screw Kit

CATALOG #	FOR USE WITH
WPEN-10-32X7/8	PROET1 & PROELB1
WPEN-1/4-20X7/8	PROET2 & PROELB2

# Support Products

## PIPE STRAPS

### Description

Plasti-Bond PVC-coated pipe straps are used to securely mount conduit to a wall or other structure for support. They are available in two styles: a one-hole malleable iron strap or a two-hole stamped steel strap. Mounting hardware not provided.



**Conduit Pipe Strap - 1 Hole**

PIPE SIZE	FERROUS CATALOG #	NOMINAL WEIGHT FOR 100
1/2"	PBPS11M	11
3/4"	PBPS22M	14
1"	PBPS33M	12
1-1/4"	PBPS44M	25
1-1/2"	PBPS55M	36
2"	PBPS66M	71
2-1/2"	PBPS77M	111
3"	PBPS88M	134
3-1/2"	PBPS99M	166
4"	PBPS100M	256

### Features

- 20 mil gray PVC exterior coating
- 10 trade sizes from 1/2" through 4"



**Conduit Pipe Strap - 2 Hole**

PIPE SIZE	FERROUS CATALOG #	NOMINAL WEIGHT FOR 100
1/2"	PBPS11S-2	2.0
3/4"	PBPS22S-2	3.0
1"	PBPS33S-2	4.0
1-1/4"	PBPS44S-2	4.5
1-1/2"	PBPS55S-2	5.0
2"	PBPS66S-2	10.0
2-1/2"	PBPS77S-2	13.0
3"	PBPS88S-2	17.0
3-1/2"	PBPS99S-2	20.0
4"	PBPS100S-2	25.0

## CLAMP BACK SPACERS

### Description

Plasti-Bond PVC-coated clamp back spacers are used with malleable or stamped pipe straps to provide a mounting stand-off for a conduit from a wall or other structure.

### Features

- 20 mil gray PVC exterior coating
- 10 trade sizes from 1/2" through 4"



**Conduit Clamp Back Spacer**

PIPE SIZE	FERROUS CATALOG #	NOMINAL WEIGHT EACH
1/2"	PBCLB-M50	0.1
3/4"	PBCLB-M75	0.1
1"	PBCLB-M100	0.1
1-1/4"	PBCLB-M125	0.2
1-1/2"	PBCLB-M150	0.2
2"	PBCLB-M200	0.3
2-1/2"	PBCLB-M250	1.0
3"	PBCLB-M300	1.7
4"	PBCLB-M400	2.0
3-1/2"	PBCLB-M350	1.8



# Support Products

## CONDUIT CLAMP HANGERS

### Description

Plasti-Bond PVC-coated conduit clamp hangers are used with threaded rod to securely suspend conduit runs supported from above. They are provided with stainless steel hardware.

### Conduit Hanger

PIPE SIZE	CATALOG #	NOMINAL WEIGHT
1/2"	PBGH0B	0.1
3/4"	PBGH1B	0.1
1"	PBGH2B	0.1
1-1/4"	PBGH3B	0.1
1-1/2"	PBGH4B	0.2
2"	PBGH5B	0.3
2-1/2"	PBGH6B	0.4
3"	PBGH7B	0.5
3-1/2"	PBGH8B	0.6
4"	PBGH9B	0.7

### Features

- 20 mil gray PVC exterior coating
- 10 trade sizes from 1/2" through 4"



## THREAD RODS

### Description

Plasti-Bond PVC-coated all thread rod is used with coated conduit hangers and coated strut to securely suspend conduit runs supported from above. It is provided in 3/8" and 1/2" sizes and three standard lengths: 3', 6', and 10'.

### Thread Rods

SIZE	CATALOG #
3/8" X 3'	PBH193-3/8X3
3/8" X 6'	PBH193-3/8X6
3/8" X 10'	PBH193-3/8X10
1/2" X 3'	PBH193-1/2X3
1/2" X 6'	PBH193-1/2X6
1/2" X 10'	PBH193-1/2X10

### Features

- 20 mil gray PVC exterior coating
- 2 trade sizes and 3 standard lengths



## PVC-COATED STRUT STRAPS AND J HANGERS

### Description

Plasti-Bond PVC-coated strut straps and J hangers are used with coated strut to support conduit installations in a variety of configurations. Strut straps may be used in either vertical or horizontal positions to support conduit. Both are provided with stainless steel hardware. Conduit spacing may be as close together as allowed by the couplings. J hangers may be used with hanger rods or other means of support to securely fasten conduit runs.



### Features

- 20 mil gray PVC exterior coating
- Available in 11 trade sizes

#### PVC-Coated Strut Straps

SIZE	FERROUS CATALOG #	GAUGE METAL	WEIGHT FOR 100 PCS	STD PACK
1/2"	PBC105-1/2	14	13.0	100
3/4"	PBC105-3/4	14	15.0	100
1"	PBC105-1	14	17.0	100
1-1/4"	PBC105-1-1/4	12	19.5	100
1-1/2"	PBC105-1-1/2	12	28.0	100
2"	PBC105-2	12	31.0	50
2-1/2"	PBC105-2-1/2	12	36.0	50
3"	PBC105-3	12	42.0	50
3-1/2"	PBC105-3-1/2	11	56.0	25
4"	PBC105-4	11	64.0	25
5"	PBC105-5	10	76.0	25

#### PVC-Coated J Hangers

SIZE	FERROUS CATALOG #	WEIGHT FOR 100 PCS	STD PACK
1/2"	PBC149-1/2	18	25
3/4"	PBC149-3/4	21	25
1"	PBC149-1	22	25
1-1/4"	PBC149-1-1/4	25	25
1-1/2"	PBC149-1-1/2	27	25
2"	PBC149-2	29	25
2-1/2"	PBC149-2-1/2	64	25
3"	PBC149-3	72	25
3-1/2"	PBC149-3-1/2	84	25
4"	PBC149-4	138	10
5"	PBC149-5	162	10

# Support Products

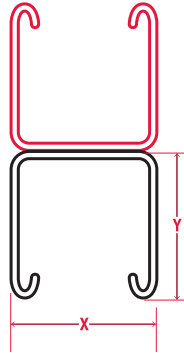
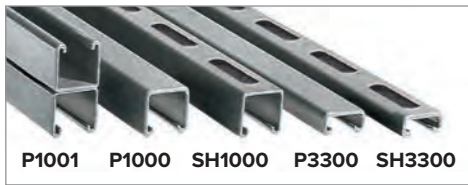
## PVC-COATED FERROUS STRUTS

### Description

Plasti-Bond PVC-coated strut is a versatile system of structural elements that can be used to build supports for a variety of applications. When combined with coated conduit hangers and other accessories, coated strut is a versatile and economical way to provide reliable support for conduit runs and other electrical and mechanical installations.

### Features

- 20 mil gray PVC exterior coating
- 2 trade sizes and 3 standard styles



### PVC-Coated Strut

FERROUS CATALOG #	STYLE	NOMINAL WEIGHT PER 100 FT.	X	Y	STRUT THICKNESS
PBP1000-10	CHANNEL	200.0	1.67	1.67	12 GA.
PBSH1000-10	CHANNEL SLOTTED	185.0	1.67	1.67	12 GA.
PBP1001-10	CHANNEL BACK TO BACK	380.0	1.67	3.29	12 GA.
PBP3300-10	CHANNEL SHALLOW	135.0	1.67	0.92	12 GA.
PBSH3300-10	CHANNEL SHALLOW SLOTTED	130.0	1.67	0.92	12 GA.

### PVC-Coated Strut Cut-to-Length

FERROUS CATALOG #	DESCRIPTION	X	Y	LENGTH IN FT.	STRUT THICKNESS
PBP1000-1	1-5/8 CHANNEL	1.67	1.67	1	12 GA.
PBP1000-1-1/2	1-5/8 CHANNEL	1.67	1.67	1-1/2	12 GA.
PBP1000-2	1-5/8 CHANNEL	1.67	1.67	2	12 GA.
PBP1000-2-1/2	1-5/8 CHANNEL	1.67	1.67	2-1/2	12 GA.
PBP1000-3	1-5/8 CHANNEL	1.67	1.67	3	12 GA.

### Channels With Slotted Holes

FERROUS CATALOG #	DESCRIPTION	X	Y	LENGTH IN FT.	STRUT THICKNESS
PBSH1000-1	1-5/8 CHANNEL	1.67	1.67	1	12 GA.
PBSH1000-1-1/2	1-5/8 CHANNEL	1.67	1.67	1-1/2	12 GA.
PBSH1000-2	1-5/8 CHANNEL	1.67	1.67	2	12 GA.
PBSH1000-2-1/2	1-5/8 CHANNEL	1.67	1.67	2-1/2	12 GA.
PBSH1000-3	1-5/8 CHANNEL	1.67	1.67	3	12 GA.

## PVC-COATED STRUT NUTS

### Description

Plasti-Bond PVC-coated strut nuts are used to assemble strut components and to secure coated all thread rod in a section of strut. These are available with or without a spring to aid in placement and assembly.

### Features

- 20 mil gray PVC exterior coating
- 10 trade sizes from 1/2" through 4"



### Coated Strut Nut

PIPE SIZE	FERROUS CATALOG #
3/8"	PBB910-3/8
1/2"	PBB910-1/2
3/8"	PBB911-3/8
1/2"	PBB911-1/2
3/8"	PBB914-3/8
1/2"	PBB914-1/2

# Support Products

## BEAM CLAMPS AND U-BOLTS

### Description

Plasti-Bond PVC-coated beam clamps are used to securely support conduit runs by attaching them to beams, angles, trusses, and other structural members. They are available in the following styles:

**Window Clamp** – to attach strut at a 90° angle to a beam or structural member

**Parallel** – to attach the conduit run parallel to a beam or structural member

**Edge** – to attach the conduit run at a 90° angle to a thin beam or structural member

**Right Angle** – to attach the conduit run at a 90° angle to a beam or structural member

**U-Bolt** – to attach the conduit run to a structural member or support

**Hanger Rod Beam Clamp** – to attach a single all thread rod to a beam or structural member

### PVC-Coated Nuts

FERROUS CATALOG #	DESCRIPTION
PBNUT-KIT-1	5/16" ENC NUTS-RA, UBLT 1/2" to 1-1/4"
PBNUT-KIT-2	3/8" ENC NUTS-RA, UBLT 1-1/2" to 6"



### Parallel Conduit Clamp

PIPE SIZE	FERROUS CATALOG #	NOMINAL WEIGHT
1/2"	PBPAR-1/2	46.8
3/4"	PBPAR-3/4	63.0
1"	PBPAR-1	67.0
1-1/4"	PBPAR-1-1/4	100.0
1-1/2"	PBPAR-1-1/2	130.0
2"	PBPAR-2	158.0
2-1/2"	PBPAR-2-1/2	175.0
3"	PBPAR-3	200.0
3-1/2"	PBPAR-3-1/2	250.0
4"	PBPAR-4	275.0

### Features

- 20 mil minimum gray PVC exterior coating on all types of beam clamps
- Right angle clamps supplied with plastic encapsulated screws
- All clamps specifically sized to fit PVC-coated conduit
- Right angle and parallel clamps available in 10 trade sizes from 1/2" through 4"
- Edge clamps available in 3 trade sizes from 1/2" through 1"
- Hanger rod beam clamps available with 5 different jaw openings from 15/16" through 2-1/8"
- Add U-Bolts available in 12 trade sizes from 1/2" through 6"



### Strut Window Beam Clamps

FERROUS CATALOG #	NOMINAL WEIGHT
PBB441-22	0.9
PBB441-22A	0.9



### Edge-Style Conduit Clamp

PIPE SIZE	FERROUS CATALOG #	NOMINAL WEIGHT
1/2"	PBEDGE-1/2	74.0
3/4"	PBEDGE-3/4	90.0
1"	PBEDGE-1	100.0

# Support Products

## BEAM CLAMPS AND U-BOLTS



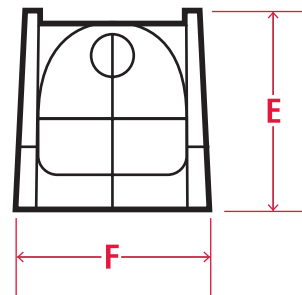
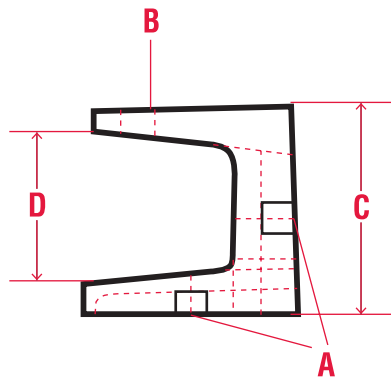
**Right Angle Conduit Clamp**

PIPE SIZE	FERROUS CATALOG #	NOMINAL WEIGHT
1/2"	PBRA-1/2	49.0
3/4"	PBRA-3/4	53.0
1"	PBRA-1	61.0
1-1/4"	PBRA-1-1/4	65.0
1-1/2"	PBRA-1-1/2	92.0
2"	PBRA-2	100.0
2-1/2"	PBRA-2-1/2	125.0
3"	PBRA-3	150.0
3-1/2"	PBRA-3-1/2	175.0
4"	PBRA-4	198.0



**Conduit U-Bolt**

PIPE SIZE	FERROUS CATALOG #	NOMINAL WEIGHT
1/2"	PBU-BOLT-1/2	17.0
3/4"	PBU-BOLT-3/4	18.0
1"	PBU-BOLT-1	20.0
1-1/4"	PBU-BOLT-1-1/4	20.0
1-1/2"	PBU-BOLT-1-1/2	31.0
2"	PBU-BOLT-2	34.0
2-1/2"	PBU-BOLT-2-1/2	39.0
3"	PBU-BOLT-3	44.0
3-1/2"	PBU-BOLT-3-1/2	45.0
4"	PBU-BOLT-4	49.0
5"	PBU-BOLT-5	100.0
6"	PBU-BOLT-6	130.0



**Hanger Rod Beam Clamps**

PIPE SIZE	FERROUS CATALOG #	A	B	C	D	E	F	NOMINAL WEIGHT	MAXIMUM LOAD
1"	PB500	1/4 – 20	5/16 – 1-1/8	1-5/8	7/8	1-1/2	1-1/4	25	500
1-1/4"	PB501	5/16 – 1-1/8	3/8 – 16	1-3/4	1	1-5/8	1-5/8	50	800
1-1/2"	PB502	3/8 – 16	1/2 – 13	2-1/8	1-1/4	2-1/16	2-1/16	90	2000
2"	PB503	1/2 – 13	1/2 – 13	2-5/8	1-1/2	2-1/4	2-1/2	195	2000
2-1/2"	PB508	1/2 – 13	1/2 – 13	3-3/8	2-1/4	2-1/2	2-5/8	25	4000



# Support Products

## PVC-COATED SEALING LOCKNUT

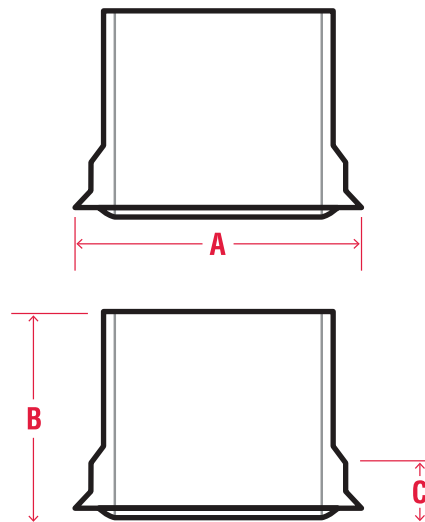


### Description

The patented PVC-coated sealing locknut properly protects exposed conduit threads at the point of connection, giving you a superior sealed system.

### Features

- 40 mil gray PVC exterior coating
- Trade sizes from 1/2" through 6"
- Built-in gasket at face of locknut
- Integral sleeve on reverse side of locknut

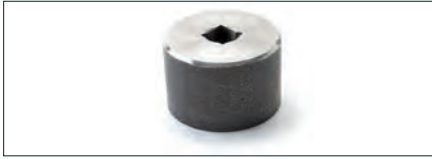


### Sealing Locknut

METRIC SIZE DESIGNATORS	PIPE SIZE (INCHES)	CATALOG #	A	B	C	NOMINAL WEIGHT
16	1/2"	PBSIB101	1.375	1.250	0.250	0.03
21	3/4"	PBSIB102	1.625	1.250	0.250	0.04
27	1"	PBSIB103	1.940	1.250	0.250	0.06
35	1-1/4"	PBSIB104	2.375	1.250	0.250	0.08
41	1-1/2"	PBSIB105	2.625	1.563	0.313	0.11
53	2"	PBSIB106	3.125	1.563	0.313	0.14
63	2-1/2"	PBSIB107	3.750	1.813	0.313	0.18
78	3"	PBSIB108	4.500	1.875	0.375	0.22
91	3-1/2"	PBSIB109	5.000	2.250	0.375	0.30
103	4"	PBSIB110	5.500	2.250	0.375	0.38
129	5"	PBSIB111	6.000	2.375	0.500	0.54
155	6"	PBSIB112	6.500	2.375	0.500	0.70

# Installation Tools

## Spin-It



With the Spin-It, Plasti-Bond REDH<sub>2</sub>OT can be tightened much faster than with conventional tools. Because the Spin-It never touches the coating, damage to the conduit is eliminated.

CATALOG #	DESCRIPTION
SPSPIN-IT-3/4	3/4" Spin-It
SPSPIN-IT-1	1" Spin-It
SPSPIN-IT-1-1/4	1-1/4" Spin-It
SPSPIN-IT-1-1/2	1-1/2" Spin-It
SPSPIN-IT-2	2" Spin-It

## JAWS 3



JAWS 3 are a set of aluminum-nickel-bronze vise jaws designed to replace the regular jaws in a RIGID #23 or #40-A pipe vise. They completely protect the exterior coating from damage caused by the vise jaws when cutting or threading.

CATALOG #	DESCRIPTION
JWJAWS3-#23	JAWS3 #23 Bench Mount Pipe Vise
JWJAWS3-#40-A	JAWS3 #40-A Tripod Pipe Vise

## PVC Coating Repair Kit



The PVC Coating Repair Kit is a UL recognized two-part epoxy capable of bonding to PVC and steel or aluminum substrates. It includes all necessary tools in order to repair the damaged area and is dark gray in color.

CATALOG #	DESCRIPTION
PBPVCREPAIR-KIT	PVC Coating Repair Kit

## Plasti-Socket



Plasti-Socket is a plastic encapsulated 3/8" drive socket for use with the square encapsulated U-Bolt and beam clamp nuts used in the Plasti-Bond REDH<sub>2</sub>OT conduit support system. The Plasti-Socket helps avoid coating damage from metal sockets, pliers, or wrenches.

CATALOG #	DESCRIPTION
PSPLASTISOCKET-3/8	3/8" Plasti-Socket

## Half-Shell Clamps



Half-Shell Clamps are designed to cover a large surface area when clamping conduit, especially in a chain vise. This allows for a strong grip without damaging the exterior coating.

CATALOG #	DESCRIPTION
JWHLF-SHL-CLP2	2" Half-Shell Conduit Clamp
JWHLF-SHL-CLP2-1/2	2-1/2" Half-Shell Conduit Clamp
JWHLF-SHL-CLP3	3" Half-Shell Conduit Clamp
JWHLF-SHL-CLP3-1/2	3-1/2" Half-Shell Conduit Clamp
JWHLF-SHL-CLP4	4" Half-Shell Conduit Clamp
JWHLF-SHL-CLP5	5" Half-Shell Conduit Clamp
JWHLF-SHL-CLP6	6" Half-Shell Conduit Clamp

## Touch-Up Compounds

Plasti-Bond REDH<sub>2</sub>OT Touch-up Compounds are available to repair minor damage to the interior urethane or exterior PVC factory coatings. The exterior PVC touch-up compound is gray and available in a 12 oz. aerosol can and a pint can with brush-top applicator. The approved thread compound is available in a pint can with a brush-top applicator.

CATALOG #	DESCRIPTION	SIZE
PBTOUCHUP-SPRAY	Exterior Spray Type (Gray)	12 oz.
PBTOUCHUP-GRAY-PT	Exterior Non-Spray with Brush-Top (Gray)	1 pt.
PBTHREAD-COMPOUND	Approved Conductive Compound-Brush-Top Pint	1 pt.

## Z-Wrench



Z-Wrench features extra wide jaws that spread the clamping force, enabling the tool to grip without marring the surface of the conduit. The "V" shaped upper jaw allows Z-Wrench to accommodate a wide range of conduit sizes. Shallow grooves in the upper and lower jaws provide an excellent grip.

CATALOG #	DESCRIPTION
SPJPZ1	1/2" - 1-1/4" Z-Wrench
SPJPZ2	1-1/2" - 2-1/2" Z-Wrench

## Hickey



The Plasti-Bond Hickey is a special bending tool with a 40 mil PVC coating which reduces the possibility of damage during conduit bending.

CATALOG #	DESCRIPTION
PBHICKEY	1/2" & 3/4" Conduit Bender



# Installer Certification

Plasti-Bond REDH<sub>2</sub>O<sub>T</sub> is a system providing the best available exterior and interior protection against corrosion. Proper installation is essential to ensure the best possible service life for a conduit system. To ensure the best possible PVC-coated conduit installation, it is recommended that installers are certified.

Qualified installation provides these benefits:

- **The End User...**  
...receives optimum installation quality and best possible service life.
- **The Professional...**  
...benefits because of obvious concern for providing only the best to the end-user.
- **The Contractor...**  
...achieves more cost-effective installation.

Everyone benefits!

Plasti-Bond Installer Certification is based upon training that includes classroom and hands-on instruction encompassing:

- Proper installation techniques and tools
- Hands-on instruction for clamping, cutting, threading, bending, and assembly of PVC-coated conduit
- Interactive discussion of techniques and troubleshooting

Only installers who are able to present valid, unexpired credentials of having passed our instruction and examination are officially certified to install Plasti-Bond's top quality products.

Installer certification is free of charge and available at the job site, contractor's shop, factory, or wherever it is convenient to you! For more information about Installer Certification, contact Plasti-Bond at (903) 843-5591.



**Plasti-Bond Certified Installer**

ON \_\_\_\_\_, 20\_\_\_\_

NAME \_\_\_\_\_  
successfully completed the Installer Certification Exam  
and is hereby designated a Certified Installer for  
PVC coated conduit.

SIGNED \_\_\_\_\_ EXPIRATION DATE \_\_\_\_\_

PB000000

1100 US Highway 271 South, Gilmer, TX 75644 • Tel: (903) 843-5591 • Fax: (903) 843-5595 • PlastiBond.com

# Technical Information

## URETHANE INTERIOR COATING CHEMICAL RESISTANCE CHART

SOLUTIONS	CONC.	TEMP.	RECOMMENDED EXPOSURE		
			FUMES	SPLASH	IMMERSION
Acetic Acid	10%	75° F	YES	YES	NO
Acid Copper Plating Sol.	Any	75° F	YES	YES	NO
Alkaline Cleaners	Any	75° F	YES	YES	NO
Aluminum Chloride	Sat'd	75° F	YES	YES	NO
Aluminum Sulfate	Sat'd	75° F	YES	YES	NO
Alums	Sat'd	75° F	YES	YES	NO
Ammonium Chloride	Sat'd	75° F	YES	YES	NO
Ammonium Hydroxide	28%	75° F	YES	YES	NO
Ammonium Hydroxide	10%	75° F	YES	YES	NO
Ammonium Sulfate	Sat'd	75° F	YES	YES	NO
Ammonium Thiocyanate	Sat'd	75° F	YES	YES	NO
Amyl Alcohol	Sat'd	75° F	YES	YES	YES
Arsenic Acids	Any	75° F	YES	YES	NO
Barium Sulfide	Sat'd	75° F	YES	YES	NO
Black Liquor	Sat'd	75° F	YES	YES	NO
Benzoic Acid	Sat'd	75° F	YES	YES	NO
Brass Plating Solution	Sat'd	75° F	YES	YES	NO
Bromine Water	Sat'd	75° F	YES	YES	NO
Butyl Alcohol	Any	75° F	YES	YES	NO
Cadmium Plating Sol.	Any	75° F	YES	YES	NO
Cadmium Bisulfate	Any	75° F	YES	YES	NO
Calcium Chloride	Sat'd	75° F	YES	YES	NO
Calcium Hypochlorite	Sat'd	75° F	YES	YES	NO
Carbonic Acid	Sat'd	75° F	YES	YES	NO
Casein	Any	75° F	YES	YES	NO
Castor Oil	Any	75° F	YES	YES	YES
Caustic Soda	35%	75° F	YES	YES	NO
Caustic Soda	10%	75° F	YES	YES	NO
Caustic Potash	35%	75° F	YES	YES	NO
Caustic Potash	10%	75° F	YES	YES	NO
Chlorine Water	Sat'd	75° F	YES	YES	NO
Chromium Plating Sol.	Any	75° F	YES	YES	NO
Citric Acid	Sat'd	75° F	YES	YES	NO
Copper Chloride	Sat'd	75° F	YES	YES	NO
Copper Cyanide Plating Sol.	Any	75° F	YES	YES	NO
Copper Sulfate	Sat'd	75° F	YES	YES	NO
Coconut Oil	Sat'd	75° F	YES	YES	YES
Cottonseed Oil	Sat'd	75° F	YES	YES	YES
Disodium Phosphate	Sat'd	75° F	YES	YES	NO
Ethyl Alcohol	Any	75° F	YES	YES	NO
Ethylene Glycol	Any	75° F	YES	YES	YES
Ferrous Sulfate	Sat'd	75° F	YES	YES	NO
Fluoboric Acid	Any	75° F	YES	YES	NO
Formaldehyde	37%	75° F	YES	YES	NO
Formic Acid	85%	75° F	YES	YES	NO
Gallic Acid	Sat'd	75° F	YES	YES	NO
Glucose	Any	75° F	YES	YES	YES
Glycerine	Any	75° F	YES	YES	YES
Gold Plating Solution	Any	75° F	YES	YES	NO
Hydrochloric Acid	10%	75° F	YES	YES	NO
Hydrochloric Acid	21.5%	75° F	YES	YES	NO
Hydrochloric Acid	37.5%	75° F	YES	YES	NO
Hydrofluoric Acid	4%	75° F	YES	YES	NO
Hydrofluoric Acid	10%	75° F	YES	YES	NO
Hydrofluoric Acid	48%	75° F	YES	YES	NO
Hydrogen Peroxide	30%	75° F	YES	YES	NO
Hydroquinone	Any	75° F	YES	YES	NO
Indium Plating Solution	Any	75° F	YES	YES	NO
Lactic Acid	Any	75° F	YES	YES	NO
Lead Plating Solution	Any	75° F	YES	YES	NO

SOLUTIONS	CONC.	TEMP.	RECOMMENDED EXPOSURE		
			FUMES	SPLASH	IMMERSION
Malic Acid	Any	75° F	YES	YES	NO
Methyl Alcohol	Any	75° F	YES	YES	NO
Mineral Oils	Any	75° F	YES	YES	YES
Nickel Acetate	Sat'd	75° F	YES	YES	NO
Nickel Plating Solution	Any	75° F	YES	YES	NO
Nickel Salts	Sat'd	75° F	YES	YES	NO
Nitric Acid	35%	75° F	YES	YES	NO
Nitric Acid	40%	75° F	YES	YES	NO
Nitric Acid	60%	75° F	YES	YES	NO
Nitric/Hydrofluoric Acid	15%/4%	75° F	YES	YES	NO
Nitric Acid/ Sodium Dichromate Water	16%/13%/71%	75° F	YES	YES	NO
Oleic Acid	Any	75° F	YES	YES	NO
Oxalic Acid	Any	75° F	YES	YES	NO
Phenol	Sat'd	75° F	YES	YES	NO
Phosphoric Acid	75%	75° F	YES	YES	NO
Phosphoric Acid	85%	75° F	YES	YES	NO
Potassium Acid Sulfate	Sat'd	75° F	YES	YES	NO
Potassium Antimonate	Sat'd	75° F	YES	YES	NO
Potassium Bisulfite	Sat'd	75° F	YES	YES	NO
Potassium Chloride	Sat'd	75° F	YES	YES	NO
Potassium Cuprocyanide	Sat'd	75° F	YES	YES	NO
Potassium Cyanide	Sat'd	75° F	YES	YES	NO
Potassium Dichromate	Sat'd	75° F	YES	YES	NO
Potassium Hypochlorate	Sat'd	75° F	YES	YES	NO
Potassium Sulfide	Sat'd	75° F	YES	YES	NO
Potassium Thiosulfate	Sat'd	75° F	YES	YES	NO
Propyl Alcohol	Sat'd	75° F	YES	YES	NO
Rhodium Plating Solution	Sat'd	75° F	YES	YES	NO
Silver Plating Solution	Sat'd	75° F	YES	YES	NO
Soaps	Any	75° F	YES	YES	NO
Sodium Acid Sulfate	Sat'd	75° F	YES	YES	NO
Sodium Antimonate	Sat'd	75° F	YES	YES	NO
Sodium Bicarbonate	Sat'd	75° F	YES	YES	NO
Sodium Bisulfite	Sat'd	75° F	YES	YES	NO
Sodium Chloride	Sat'd	75° F	YES	YES	NO
Sodium Cyanide	Sat'd	75° F	YES	YES	NO
Sodium Dichromate	Sat'd	75° F	YES	YES	NO
Sodium Hydroxide	10%	75° F	YES	YES	NO
Sodium Hydroxide	35%	75° F	YES	YES	NO
Sodium Hydroxide	73%	75° F	YES	YES	NO
Sodium Hypochlorite	Sat'd	75° F	YES	YES	NO
Sodium Hypochlorite	15%	75° F	YES	YES	NO
Sodium Sulfide	Sat'd	75° F	YES	YES	NO
Sodium Thiosulfate	Sat'd	75° F	YES	YES	NO
Sulfuric Acid	15%	75° F	YES	YES	NO
Sulfuric Acid	50%	75° F	YES	YES	NO
Sulfuric Acid	70%	75° F	YES	YES	NO
Sulfuric Acid	98%	75° F	YES	YES	NO
Sulfurous Acid	2%	75° F	YES	YES	NO
Sulfurous Acid	4%	75° F	YES	YES	NO
Tannic Acid	Sat'd	75° F	YES	YES	NO
Tartaric Acid	Sat'd	75° F	YES	YES	NO
Tin Chloride	Sat'd	75° F	YES	YES	NO
Tin Plating Solution	Sat'd	75° F	YES	YES	NO
Triethanolamine	Sat'd	75° F	YES	YES	NO
Trisodium Phosphate	Sat'd	75° F	YES	YES	NO
White Liquor	Sat'd	75° F	YES	YES	NO
Zinc Plating Solution	Sat'd	75° F	YES	YES	NO
Zinc Sulfate	Sat'd	75° F	YES	YES	NO



# Technical Information

## PVC EXTERIOR COATING CHEMICAL RESISTANCE CHART

SOLUTIONS	CONC.	TEMP.	RECOMMENDED EXPOSURE		
			FUMES	SPLASH	IMMERSION
Acetic Acid	10%	120	NO	NO	NO
Acid Copper Plating Sol.		160	YES	YES	YES
Alkaline Cleaners		160	YES	YES	YES
Aluminum Chloride	Sat'd	160	YES	YES	YES
Aluminum Sulfate	Sat'd	160	YES	YES	YES
Alums	Sat'd	160	YES	YES	YES
Ammonium Chloride	Sat'd	160	YES	YES	YES
Ammonium Hydroxide	28%	120	YES	YES	YES
Ammonium Hydroxide	10%	120	YES	YES	YES
Ammonium Sulfate	Sat'd	160	YES	YES	YES
Ammonium Thiocyanate	Sat'd	160	YES	YES	YES
Amyl Alcohol	Any	90	YES	YES	YES
Arsenic Acids	Any	150	YES	YES	YES
Barium Sulfide	Sat'd	160	YES	YES	YES
Black Liquor	Sat'd	90	YES	YES	YES
Benzoic Acid	Sat'd	160	YES	YES	YES
Brass Plating Solution	Any	160	YES	YES	YES
Bromine Water	Sat'd	120	YES	YES	YES
Butyl Alcohol	Any	90	YES	YES	YES
Cadmium Plating Sol.	Any	150	YES	YES	YES
Cadmium Bisulfate	Any	150	YES	YES	YES
Calcium Chloride	Sat'd	160	YES	YES	YES
Calcium Hypochlorite	Sat'd	120	YES	YES	YES
Carbonic Acid	Sat'd	160	YES	YES	YES
Casein	Any	90	YES	YES	YES
Castor Oil	Any	90	YES	YES	YES
Caustic Soda	35%	120	YES	YES	YES
Caustic Soda	10%	150	YES	YES	YES
Caustic Potash	35%	120	YES	YES	YES
Caustic Potash	10%	150	YES	YES	YES
Chlorine Water	Sat'd	90	YES	YES	YES
Chromium Plating Sol.	Any	150	YES	YES	YES
Citric Acid	Sat'd	160	YES	YES	YES
Copper Chloride	Sat'd	160	YES	YES	YES
Copper Cyanide Plating Sol. (High Speed)	Any	180	YES	YES	YES
(with Alkali Cyanides)	Sat'd	160	YES	YES	YES
Copper Sulfate	Sat'd	160	YES	YES	YES
Coconut Oil	Sat'd	90	YES	YES	YES
Cottonseed Oil	Sat'd	90	YES	YES	YES
Disodium Phosphate	Sat'd	160	YES	YES	YES
Ethyl Alcohol	Any	90	YES	YES	YES
Ethylene Glycol	Any	90	YES	YES	NO
Ferric Chloride	45%	120	YES	YES	YES
Ferrous Sulfate	Sat'd	150	YES	YES	YES
Fluoboric Acid	Any	150	YES	YES	YES
Formaldehyde	37%	120	YES	YES	YES
Formic Acid	85%	100	NO	NO	NO
Gallic Acid	Sat'd	150	YES	NO	NO
Glucose	Any	150	YES	YES	YES
Glycerine	Any	90	YES	YES	YES
Gold Plating Solution	Any	150	YES	YES	YES
Hydrochloric Acid	10%	120	YES	YES	YES
Hydrochloric Acid	21.5%	120	YES	YES	YES
Hydrochloric Acid	37.5%	120	YES	YES	NO
Hydrochloric Acid	37.5%	90	YES	YES	NO
Hydrofluoric Acid	4%	140	YES	YES	NO
Hydrofluoric Acid	10%	120	YES	YES	NO
Hydrofluoric Acid	48%	120	YES	YES	NO
Hydrogen Peroxide	30%	120	YES	YES	YES
Hydrogen Sulfide	Sat'd	120	YES	YES	YES
Hydroquinone	Any	90	YES	YES	YES
Indium Plating Solution	Any	150	YES	YES	YES

SOLUTIONS	CONC.	TEMP.	RECOMMENDED EXPOSURE		
			FUMES	SPLASH	IMMERSION
Lactic Acid	50%	120	YES	YES	YES
Lactic Acid	Any	90	YES	YES	YES
Lead Plating Solution	Any	150	YES	YES	YES
Malic Acid	Any	90	YES	YES	YES
Methyl Alcohol	Any	90	YES	YES	YES
Mineral Oils	Any	90	YES	YES	YES
Nickel Acetate	Sat'd	160	YES	YES	YES
Nickel Plating Solution		160	YES	YES	YES
Nickel Salts	Sat'd	160	YES	YES	YES
Nitric Acid	35%	120	YES	YES	NO
Nitric Acid	40%	90	YES	YES	NO
Nitric Acid	60%	120	YES	YES	NO
Nitric/Hydrofluoric Acid	15%/4%	140	YES	YES	YES
Nitric Acid/ Sodium Dichromate Water	16%/13%/71%	130	YES	YES	YES
Oleic Acid	Any	90	YES	YES	YES
Oxalic Acid		90	YES	YES	YES
Phenol	Sat'd	120	NO	NO	NO
Phosphoric Acid	75%	150	YES	YES	YES
Phosphoric Acid	85%	120	YES	YES	YES
Potassium Acid Sulfate	Sat'd	150	YES	YES	YES
Potassium Antimonate	Sat'd	150	YES	YES	YES
Potassium Bisulfite	Sat'd	90	YES	YES	YES
Potassium Chloride	Sat'd	160	YES	YES	YES
Potassium Cuprocyanide	Sat'd	150	YES	YES	YES
Potassium Cyanide	Sat'd	160	YES	YES	YES
Potassium Dichromate	Sat'd	160	YES	YES	YES
Potassium Hypochlorate	Sat'd	90	YES	YES	YES
Potassium Sulfide	Sat'd	150	YES	YES	YES
Potassium Thiosulfate	Sat'd	150	YES	YES	YES
Propyl Alcohol	Sat'd	150	YES	YES	YES
Rhodium Plating Solution	Sat'd	150	YES	YES	YES
Silver Plating Solution	Sat'd	150	YES	YES	YES
Soaps	Any	90	YES	YES	YES
Sodium Acid Sulfate	Sat'd	160	YES	YES	YES
Sodium Antimonate	Sat'd	150	YES	YES	YES
Sodium Bicarbonate	Sat'd	160	YES	YES	YES
Sodium Bisulfite	Sat'd	90	YES	YES	YES
Sodium Chloride	Sat'd	160	YES	YES	YES
Sodium Cyanide	Sat'd	160	YES	YES	YES
Sodium Dichromate	Sat'd	160	YES	YES	YES
Sodium Hydroxide	10%	150	YES	YES	NO
Sodium Hydroxide	35%	120	YES	YES	NO
Sodium Hydroxide	73%	160	NO	NO	NO
Sodium Hypochlorite	Sat'd	90	YES	YES	NO
Sodium Hypochlorite	15%	120	YES	YES	NO
Sodium Sulfide	Sat'd	150	YES	YES	YES
Sodium Thiosulfate	Sat'd	150	YES	YES	YES
Sulfuric Acid	15%	120	YES	YES	YES
Sulfuric Acid	50%	120	YES	YES	YES
Sulfuric Acid	70%	90	YES	YES	NO
Sulfuric Acid	98%	100	YES	NO	NO
Sulfurous Acid	2%	120	YES	YES	NO
Sulfurous Acid	6%	120	YES	YES	NO
Tannic Acid	Sat'd	90	YES	YES	YES
Tartaric Acid	Sat'd	90	YES	YES	YES
Tin Chloride	Sat'd	150	YES	YES	YES
Tin Plating Solution	Sat'd	150	YES	YES	YES
Triethanolamine	Sat'd	150	YES	YES	YES
Trisodium Phosphate	Sat'd	150	YES	YES	YES
White Liquor	Sat'd	90	YES	YES	YES
Zinc Plating Solution		160	YES	YES	YES
Zinc Sulfate	Sat'd	160	YES	YES	YES



## PLASTI-BOND REDH<sub>2</sub>O PERFORMANCE STANDARDS/DESCRIPTIONS

Exterior PVC and interior urethane coating performance shall be confirmed by the characteristics and tests listed below. Test samples shall be selected at random.

### Flammability

The PVC coating will burn if subjected to sustained flame or heat above 400°F, however, it will self extinguish upon removal of the heat source or flame.

### Toxicity

Prolonged exposure to heat greater than 200°F or exposure to fire may cause the PVC coating to release harmful emissions that could pose a potential health hazard. Therefore, PVC use is not recommended in areas exposed to sustained temperatures above 200°F. If exposed to fire, particularly in closed areas, users should be aware and observe proper caution.

### Boil Test

Acceptable conduit coating bonds shall be confirmed if there is no disbondment after a minimum average of 200 hours in boiling water or exposure to steam vapor at one atmosphere. The periodic increments between bond tests shall not exceed 5 hours for the first 25 hours, then it may be lengthened by mutual consent. The RN1 Bond Test and the Standard Method for Measuring Adhesion by Tape Test shall be utilized.

#### Exterior Adhesion

A 6"-length of conduit test specimen shall be placed in boiling water. The specimen shall be periodically removed, cooled to ambient temperature and immediately tested according to the bond test (RN1). When the PVC coating separates from the substrate, the boil time to failure in hours shall be recorded. ASTM D870 describes this test method for accelerated testing of coating adhesive bonds.

#### Interior Adhesion

A 6" conduit test specimen shall be cut in half longitudinally and placed in boiling water or directly above boiling water with the urethane surface facing down. The specimen shall be periodically removed, cooled to ambient temperature, and tested in accordance with the Standard Method of

Adhesion by Tape Test (ASTM D3359). When the coating disbonds, the time to failure in hours shall be recorded.

### Heat/Humidity Test

Acceptable conduit coating bonds shall be confirmed by a minimum average of 30 days in the Heat and Humidity Test. The periodic increment between bond tests shall not exceed 5 days for the first 30 days, then may be lengthened by mutual consent. The RN1 Bond Test and the Standard Method for Measuring Adhesion by Tape Test shall be utilized.

#### Exterior Adhesion

Conduit specimens shall be placed in a heat and humidity environment where the temperature is maintained at 150°F (66°C) and 95% relative humidity. The specimens shall be periodically removed and a bond test (RN1) performed. When the PVC coating separates from the substrate, the exposure time to failure in days shall be recorded. ASTM D1151, D1735, D2247, and D4585 are the basis for this accelerated method of evaluating adhesive bonding.

#### Interior Adhesion

The conditions for interior adhesion testing of conduit specimens are the same as those for external adhesion. ASTM D3359 is used to determine adhesive failure.

### ETL Verified PVC-001

The PVC coating adhesion performance of this product has been ETL verified to the Interek ETL SEMKO High Temperature H<sub>2</sub>O PVC-Coating Adhesion Test Procedure for 200 hours.

### Chemical Resistance Test

No trace of the internal coating shall be visible on a white cloth following six wipes over the coating that has been wetted with acetone (ASTM D1308).

### Polyurethane

The supplier shall confirm that the internal coating that meets the above condition is a polyurethane.

## PLASTI-BOND REDH<sub>2</sub>OT PERFORMANCE STANDARDS/DESCRIPTIONS

Plasti-Bond has used the American Society for Testing and Materials (ASTM) standards to provide comparable and consistent test data. A list of ASTM standards referenced in the Plasti-Bond REDH<sub>2</sub>OT Coated Conduit Specification appears below.

### **ASTM B1117**

Standard Practice for Operating Salt Spray (Fog) Apparatus

### **ASTM D149**

Test Methods for Dielectric Breakdown Voltage and Dielectric Strength of Solid Electrical Insulating Materials at Commercial Power Frequencies

### **ASTM D638**

Test Method for Tensile Properties of Plastics

### **ASTM D746**

Test Method for Brittleness Temperature of Plastics and Elastomers by Impact

### **ASTM D870**

Method for Water Immersion Test of Organic Coatings on Steel

### **ASTM D1151**

Test Method for Effect of Moisture and Temperature on Adhesive Bonds

### **ASTM D1654**

Standard Test Method for Evaluation of Painted or Coated Specimens Subjected to Corrosive Environments

### **ASTM D1735**

Method for Water Fog Testing of Organic Coatings

### **ASTM D2240**

Test Method for Rubber Property-Durometer Hardness

### **ASTM D2247**

Method of Testing Coated Metal Specimens at 100% Relative Humidity

### **ASTM D2444**

Standard Test Method for Determination of the Impact Resistance of Thermoplastic Pipe and Fittings by Means of a Tup (Falling Weight)

### **ASTM D3359**

Method for Measuring Adhesion by Tape Test

### **ASTM D4585**

Testing Water Resistance of Coatings Using Controlled Condensation

### **ASTM D1308**

Effect of Chemicals on Clear and Pigmented Organic Finishes

### **ASTM G153**

Standard Practice for Operating Enclosed Carbon Arc Light Apparatus for Exposure of Non-Metallic Materials

### **ASTM G155**

Standard Practice for Operating Xenon Arc Light Apparatus for Exposure of Non-Metallic Materials



**ROBROY**  
**INDUSTRIES**  
LEADING THE WAY

## **Plasti-Bond®**

**Executive Offices:**

1100 US Highway 271 South  
Gilmer, TX 75644  
Phone: (903) 843-5591  
Fax: (903) 843-5595  
Sales Fax: (903) 680-4259

[CustomerService@PlastiBond.com](mailto:CustomerService@PlastiBond.com)



Plasti-Bond PVC-Coating galvanized rigid conduit and fittings provide unequalled corrosion protection. Manufactured in the U.S.A., ISO 9001-certified Plasti-Bond complies with all standards mandated by UL6, UL1203, NEMA RN-1, and ANSI C801. In addition, Plasti-Bond is ETL Verified for product performance and reliable longevity ten or more times longer than brands that are not ETL Verified. Look for the combined ETL/UL label to be sure you are receiving the protection you've paid for.

© 2019 Robroy Industries Electric Product Division

Effective Date: 2/19

Order Item: PR-115